

# FRONT LOAD WASHER OWNER'S MANUAL

## MANUEL DE L'UTILISATEUR DE LA LAVEUSE À CHARGEMENT FRONTAL

### Table of Contents/Table des matières

<b>WASHER SAFETY</b> .....	2	<b>SÉCURITÉ DE LA LAVEUSE</b> .....	18
Washer Safety.....	2	Sécurité de la laveuse.....	18
Internet Connectivity Guide.....	2	Guide de connexion Internet.....	18
<b>CHOOSING THE RIGHT DETERGENT</b> .....	4	<b>CHOIX DU DÉTERGENT APPROPRIÉ</b> .....	20
Choosing the Right Detergent.....	4	Choix du détergent approprié.....	20
Adding Laundry Products.....	4	Ajouter les produits de lessive.....	20
<b>WASHER MAINTENANCE AND CARE</b> .....	5	<b>ENTRETIEN ET RÉPARATION DE LA LAVEUSE</b> .....	21
Cleaning the Washer Location.....	5	Nettoyage de l'emplacement de la laveuse.....	21
Water Inlet Hoses.....	5	Tuyaux d'arrivée d'eau.....	21
Washer Care.....	5	Entretien de la laveuse.....	21
Clean Washer Cycle Reminder.....	7	Rappel de lancement du programme Clean Washer (nettoyage de la laveuse).....	23
Removing the Dispenser.....	7	Retrait du distributeur.....	23
Cleaning Load & Go™ Containers (on some models).....	8	Récipients Load & Go (sur certains modèles).....	24
Nonuse and Vacation Care.....	8	Non utilisation et entretien avant les vacances.....	25
Winter Storage Care.....	8	Entretien pour entreposage hivernal.....	25
Transporting Your Washer.....	8	Transport de la laveuse.....	25
Reinstalling/Using Washer Again.....	8	Réinstallation/réutilisation de la laveuse.....	25
Cleaning the Drain Pump/Draining Residual Water (on some models).....	9	Nettoyage du filtre de la pompe de vidange / Vidange de l'eau résiduelle (sur certains modèles).....	26
Additional Cleaning.....	9	Nettoyage supplémentaire.....	26
<b>INSTALLATION INSTRUCTIONS</b> .....	10	<b>INSTRUCTIONS D'INSTALLATION</b> .....	27
<b>REQUIREMENTS</b> .....	10	<b>SPÉCIFICATIONS</b> .....	27
Tools and Parts.....	10	Outils et pièces.....	27
Location Requirements.....	10	Exigences d'emplacement (laveuse).....	27
Drain System.....	11	Système de vidange.....	28
Electrical Requirements.....	12	Spécifications électriques.....	30
<b>INSTALLATION</b> .....	13	<b>INSTALLATION</b> .....	30
Unpacking.....	13	Déballage.....	30
Connect Drain Hose.....	13	Raccordement du tuyau de vidange.....	31
Connect Inlet Hoses.....	14	Raccordement des tuyaux d'alimentation.....	32
Level Washer.....	15	Établissement de l'aplomb de la laveuse.....	34
Complete Installation Checklist.....	17	Liste de vérification pour installation terminée.....	35

**IMPORTANT:**

Save for local electrical inspector's use.

**IMPORTANT :**

À conserver pour consultation par l'inspecteur local des installations électriques.

W11355369B

W11355370B-SP

# WASHER SAFETY

## Your safety and the safety of others are very important.

We have provided many important safety messages in this manual and on your appliance. Always read and obey all safety messages.



This is the safety alert symbol.

This symbol alerts you to potential hazards that can kill or hurt you and others.

All safety messages will follow the safety alert symbol and either the word "DANGER" or "WARNING." These words mean:

**▲ DANGER**

**You can be killed or seriously injured if you don't immediately follow instructions.**

**▲ WARNING**

**You can be killed or seriously injured if you don't follow instructions.**

All safety messages will tell you what the potential hazard is, tell you how to reduce the chance of injury, and tell you what can happen if the instructions are not followed.

## IMPORTANT SAFETY INSTRUCTIONS

**WARNING:** To reduce the risk of fire, electric shock, or injury to persons when using your appliance, follow basic precautions, including the following:

- Read all instructions before using the appliance.
- Do not wash articles that have been previously cleaned in, washed in, soaked in, or spotted with gasoline, dry-cleaning solvents, or other flammable or explosive substances, as they give off vapors that could ignite or explode.
- Do not add gasoline, dry-cleaning solvents, or other flammable or explosive substances to the wash water. These substances give off vapors that could ignite or explode.
- Under certain conditions, hydrogen gas may be produced in a hot-water system that has not been used for 2 weeks or more. **HYDROGEN GAS IS EXPLOSIVE.** If the hot-water system has not been used for such a period, before using a washing machine, turn on all hot-water faucets and let the water flow from each for several minutes. This will release any accumulated hydrogen gas. As the gas is flammable, do not smoke or use an open flame during this time.
- Do not allow children to play on or in the appliance. Close supervision of children is necessary when the appliance is used near children.
- Before the appliance is removed from service or discarded, remove the door.
- Do not reach into the appliance if the tub or agitator is moving.
- Do not install or store this appliance where it will be exposed to the weather.
- Do not tamper with controls.
- Do not repair or replace any part of the appliance or attempt any servicing unless specifically recommended in the user-maintenance instructions or in published user-repair instructions that you understand and have the skills to carry out.
- Do not use replacement parts that have not been recommended by the manufacturer (e.g. parts made at home using a 3D printer).
- See the Installation Instructions for grounding requirements and installation.

## SAVE THESE INSTRUCTIONS

### WARNING

Certain internal parts are intentionally not grounded and may present a risk of electric shock only during servicing.

**Service Personnel – Do not contact the thermostat bracket while the appliance is energized.**

# Internet Connectivity Guide for Connected Appliances Only

**IMPORTANT:** Proper installation of your appliance prior to use is your responsibility. Be sure to read and follow the installation instructions that came with your appliance.

Connectivity requires Wi-Fi and account creation. App features and functionality are subject to change. Data rates may apply. Once installed, launch the app. You will be guided through the steps to set up a user account and to connect your appliance.

## You Will Need:

- A home wireless router supporting Wi-Fi, 2.4 Ghz with WPA2 security. If you are unsure of your router's capabilities, refer to the router manufacturer's instructions.
- The router to be on and have a live internet connection.
- The 10-character SAID code for your appliance. The SAID code is either printed on a label on the appliance or found on the LCD screen.

## Federal Communications Commission (FCC) Compliance Notice

This device complies with Part 15 of the FCC Rules. Operation is subject to the following two conditions:

1. This device may not cause harmful interference, and
2. This device must accept any interference received, including interference that may cause undesired operation.

Changes or modifications not expressly approved by the party responsible for compliance could void the user's authority to operate the equipment.

## Industry Canada (IC) Compliance Notice

This Device complies with Industry Canada License-exempt RSS standard(s). Operation is subject to the following two conditions:

1. This device may not cause interference.
2. This device must accept any interference, including interference that may cause undesired operation of the device.

Under Industry Canada regulations, this radio transmitter may only operate using an antenna of a type and maximum (or lesser) gain approved for the transmitter by Industry Canada. To reduce potential radio interference to other users, the antenna type and its gain should be so chosen that the equivalent isotropically radiated power (e.i.r.p.) is not more than that necessary for successful communication.

To comply with FCC and Industry Canada RF radiation exposure limits for general population, antenna(s) used for this transmitter must be installed such that a minimum separation distance of 20 cm is maintained between the radiator (antenna) and all persons at all times and must not be co-located or operating in conjunction with any other antenna or transmitter.

If this equipment does cause harmful interference to radio or television reception, which can be determined by turning the equipment off and on, the user is encouraged to try to correct the interference by one of the following measures:

- Reorient or relocate the receiving antenna.
- Increase the separation between the equipment and receiver.
- Connect the equipment into an outlet on a circuit different from that to which the receiver is connected.
- Consult the dealer or an experienced radio/TV technician for help.

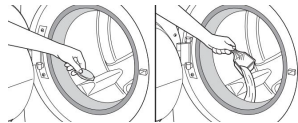
# CHOOSING THE RIGHT DETERGENT

Use only High Efficiency detergents. The package will be marked "HE" or "High Efficiency." Low-water washing creates excessive sudsing with a non-HE detergent. Using non-HE detergent will likely result in longer cycle times and reduced rinsing performance. It may also result in component failure and, over time, buildup of mold or mildew. HE detergents should be low-sudsing and quick-dispersing to produce the right amount of suds for the best performance. They should hold soil in suspension so it is not redeposited onto clean clothes. Not all detergents labeled as High Efficiency are identical in formulation and their ability to reduce suds. For example, natural, organic, or homemade HE detergents may generate a high level of suds. If you use one of these and see an "Sd" or "Sud" error code appear in the display, consider using a different HE detergent. Always follow the detergent manufacturer's instructions to determine the amount of detergent to use. Do not go over the Max line on the dispenser.

## Adding Laundry Products

### Adding HE detergent to basket:

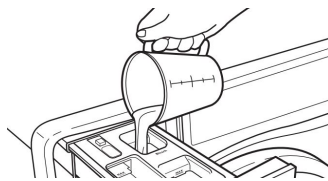
Single-dose laundry packets, Oxi-type boosters, color-safe bleach, or scented crystals can be added to the drum prior to adding laundry. When using single-dose laundry packets, make sure that the bulk dispenser is disabled (on some models) or off.



**NOTE:** Follow the manufacturer's instructions to determine the amount of laundry products to use.

### Adding liquid chlorine bleach to single-load dispenser:

Add liquid chlorine bleach to the bleach compartment. Do not overfill, dilute, or use more than 2/3 cup (165 mL). Do not use color-safe bleach or Oxi in the same cycle with liquid chlorine bleach.

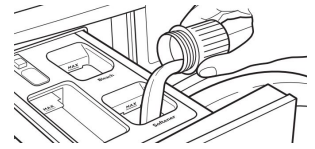


### IMPORTANT:

- Always measure liquid chlorine bleach. Use a measuring cup with a pour spout; do not guess.
- Do not fill beyond the "MAX" line. Overfilling could cause garment damage.
- Do not use thickened, easy-pour, or no-splash bleach when running the Clean Washer with affresh<sup>®</sup>† cycle, as excess suds may occur.
- On some models: Do not add liquid chlorine bleach to the bulk dispenser.
- Slowly close dispenser drawers. Make sure the drawers are closed completely (on some models).

### Adding liquid fabric softener to single-load dispenser:

Pour a measured amount of liquid fabric softener into liquid fabric softener compartment. Always follow manufacturer's directions for correct amount of fabric softener, based on your load size. Disable the 1-Liter Load & Go™ dispenser if not used to dispense detergent (on some models).



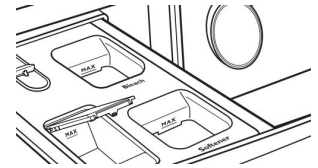
Fabric softener is always dispensed in the last rinse, even if Extra Rinse is selected.

**IMPORTANT:** Do not overfill, dilute, or use more than the manufacturer-recommended quantity of fabric softener. Do not fill past the "MAX" line. Overfilling dispenser will cause fabric softener to immediately dispense into washer.

- Do not spill or drip any fabric softener onto the clothes.
- Do not use liquid fabric softener dispenser balls in this washer. They will not dispense correctly.
- Do not use fabric softener sheets, as they can stain the load.

### Adding HE detergent to Optimal Dispense Drawer (on some models):

This compartment holds up to 14.3 oz. (424 ml) of liquid HE detergent allowing you to avoid having to refill detergent for each load. Also, this will use just the right amount of detergent required for a particular load/cycle.

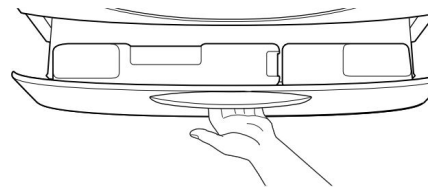


**NOTE:** Do not add single-dose laundry packets, Oxi-type boosters, color-safe bleach, or fabric softener crystals to dispensers. They will not dispense correctly.

### Adding HE detergent to Load & Go™ dispenser (on some models):

Use only High Efficiency (HE) liquid detergents. The bulk dispensers will hold about 67.6 oz. (2 L) or 33.8 oz. (1 L) of liquid HE detergent, depending on dispenser, or enough for many loads of laundry.

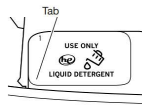
### To fill bulk dispensers (on some models):



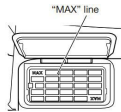
Open the dispenser drawer by pulling on the handle at the base of the washer. If desired, the drawer can be completely removed from the washer.

†affresh<sup>®</sup> is a registered trademark of Whirlpool, U.S.A.

Locate the Load & Go™ bulk dispenser. Gently pull up on the tab located on the bulk dispenser lid to lift the fill door.



Fill to the “MAX” line (see illustrations at right) with HE liquid detergent or liquid fabric softener (1-liter dispenser only). Close fill door. It will click into place. Make sure the concentration setting is correct (see the online “Cycle Guide”).

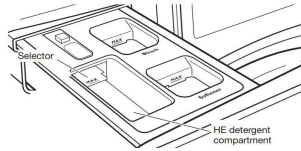


It is recommended that you rinse out the Load & Go™ containers when refilling, when changing detergent types or concentrations, or when the washer will not be used for an extended period. For instructions on cleaning the dispenser cartridge, see “Washer Care” in the “Washer Maintenance and Care” section of your Owner’s Manual.



#### Adding HE detergent to single-load dispenser:

Pour a measured amount of HE detergent into detergent compartment. For powdered detergent, lift the selector to the high position. For liquid detergent, push down the selector to the low position.

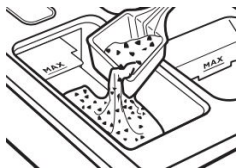


Do not overfill; adding too much detergent may cause detergent to be dispensed into the washer too early.

#### IMPORTANT:

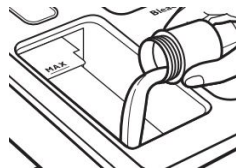
- Disable the Load & Go™ option before starting a single load (on some models).
- Do not add single-dose laundry packet to dispenser drawer.

#### Powdered detergent:



Lift the selector to the high position. Add directly to the compartment.

#### Liquid detergent:



Push down the selector to the low position. Add directly to the compartment.

## WASHER MAINTENANCE AND CARE

### Cleaning the Washer Location

Keep washer area clear and free from items that would block airflow. This includes clearing piles of laundry in front of the washer.

### Water Inlet Hoses

Replace inlet hoses after 5 years of use to reduce the risk of hose failure. Periodically inspect and replace inlet hoses if bulges, kinks, cuts, wear, or leaks are found.

When replacing your inlet hoses:

- Mark the date of replacement on the label with a permanent marker.
- Check that the old washers are not stuck on the washer inlet valves.
- Use new washers in the new inlet hoses to ensure a proper seal.

## Washer Care

### Recommendations to Help Keep Your Washer Clean and Performing at Its Best

1. Always use High Efficiency (HE) detergents and follow the HE detergent manufacturer’s instructions regarding the amount of HE detergent to use. Never use more than the recommended amount because that may increase the rate at which detergent and soil residue accumulate inside your washer, which, in turn, may result in undesirable odor.
2. Use warm or hot water washes sometimes (not exclusively cold water washes), because they do a better job of controlling the rate at which soils and detergent accumulate.
3. Always leave the washer lid open between uses to help dry out the washer and prevent the buildup of odor-causing residue.
4. Periodically clean residue from all interior surfaces of the window. For better care, wipe the entire inside of the door with a damp cloth.

### Cleaning Your Front-Loading Washer

Read these instructions completely before beginning the routine cleaning processes recommended below. This Washer Maintenance Procedure should be performed, at a minimum, once per month or every 30 wash cycles, whichever occurs sooner, to control the rate at which soils and detergent may otherwise accumulate in your washer.

#### Cleaning the Door Seal

1. Open the washer door and remove any clothing or items from the washer.
2. Inspect the gray-colored seal between the door opening and the drum for stained areas, soil buildup, or lint. Pull back the seal to inspect all areas under the seal and to check for foreign objects or lint.

3. If stained areas, soil buildup, or lint are found, wipe down these areas of the seal using either of the following two procedures:
  - a. **affresh® Machine Cleaning Wipes Procedure:**
    - i. When the cycle is complete, gently pull back the rubber door seal and clean the entire surface with the textured side of an affresh® Machine Cleaning Wipe.
  - b. **Dilute Liquid Chlorine Bleach Procedure:**
    - i. Mix a dilute bleach solution, using 3/4 cup (177 mL) of liquid chlorine bleach and 1 gallon (3.8 L) of warm tap water.
    - ii. Wipe the seal area with the dilute solution, using a damp cloth.
    - iii. Let stand 5 minutes.
    - iv. Wipe down area thoroughly with a dry cloth and let washer interior air dry with door open.

**IMPORTANT:**

- Wear rubber gloves when cleaning with bleach.
- Refer to the bleach manufacturer's instructions for proper use.

### Cleaning the Inside of the Washer

This washer has a special cycle that uses higher water volumes in combination with affresh® Washer Cleaner or regular liquid chlorine bleach to thoroughly clean the inside of the washer. Steam washer models also utilize steam to enhance cleaning in this special cycle.

**IMPORTANT:** Do not use thickened, easy-pour, or no-splash bleach when running the Clean Washer with affresh® cycle as excess suds may occur.

**NOTE:** Read these instructions completely before beginning the cleaning process.

### Begin Procedure

1. **Clean Washer with affresh® Cycle Procedure (Recommended for best performance):**
    - a. Open the washer door and remove any clothing or items.
    - b. Use an affresh® Machine Cleaning Wipe or a soft, damp cloth or sponge to clean the inside door window.
    - c. Add an affresh® Washer Cleaner tablet to the washer drum.
    - d. Do not add the affresh® Washer Cleaner tablet to the dispenser drawer.
    - e. Do not add any detergent or other chemical to the washer when following this procedure.
    - f. Close the washer door.
    - g. Select the Clean Washer with affresh® cycle.
    - h. **On some models:** Select the FanFresh®/TumbleFresh™/Fresh Hold®/Fresh Spin™ option to help dry the washer interior after the cycle is complete.
- NOTE:** The washer remembers your last option selection and will use it for future wash cycles until you deselect that option.
- i. Touch and hold Start/Pause to begin the cycle. See the "Description of Clean Washer with affresh® Cycle Operation" section.

### 2. Chlorine Bleach Procedure:

- a. Open the washer door and remove any clothing or items.
- b. Open the dispenser drawer and add liquid chlorine bleach to the Max level in both the bleach compartment and the fabric softener compartment. Either traditional or HE chlorine bleach can be used.

**IMPORTANT:** Do not use thickened, easy-pour, or no-splash bleach as excess suds may occur.

**NOTE:** Use of more liquid chlorine bleach than is recommended above could cause washer damage over time.

- c. Close the washer door and the dispenser drawer.
- d. Do not add any detergent or other chemicals to the washer when following this procedure.
- e. Select the Clean Washer with affresh® cycle.
- f. **On some models:** Select the FanFresh®/TumbleFresh™/Fresh Hold®/Fresh Spin™ option to help dry the washer interior after the cycle is complete.

**NOTE:** The washer remembers your last option selection and will use it for future wash cycles until you deselect that option.

- g. Touch and hold Start/Pause to begin the cycle. See the "Description of Clean Washer with affresh® Cycle Operation" section.

**NOTE:** For best results, do not interrupt cycle.

### Description of Clean Washer with affresh® Cycle Operation

1. The Clean Washer with affresh® cycle will determine whether clothing or other items are in the washer.
2. If no items are detected in the washer, it will proceed with the cycle.
  - a. If any items are detected in the washer, "rL" (remove load) will be displayed. The door will unlock. Open washer and remove any garments from the washer drum.
  - b. Touch Power to clear the "rL" code.
  - c. Touch and hold Start/Pause to restart the cycle.
3. **Steam models only:** During the first 20 minutes of the cycle, it will activate the steamer but the drum will not spin or fill with water. You may see condensation on the door window during this initial phase. If you are using an affresh® Washer Cleaner tablet, it will not dissolve completely during the steam phase. This is normal.

After the cycle is complete, leave the door open slightly to allow for better ventilation and drying of the washer interior.

### Cleaning the Dispensers

After a period of using your washer, you may find some residue buildup in the washer's dispensers.

**For the Single-Load or Optimal dispenser:** Remove the drawer and wipe the surfaces with an affresh® Machine Cleaning Wipe or a damp cloth, and towel dry either before or after you run the Clean Washer with affresh® cycle. Use an all-purpose surface cleaner, if needed.

**For the Load & Go™ dispenser:** Lift the handle on the dispenser housing and pull to remove it from the washer cabinet; then rinse the dispenser thoroughly with running water. Wipe the outside dispenser surface with an affresh® Machine Cleaning Wipe or a damp cloth, and towel dry. Use an all-purpose surface cleaner, if needed.

Replace the dispenser in the washer cabinet and make sure that it is correctly seated.

**IMPORTANT:** Dispensers are not dishwasher-safe.



## Cleaning the Outside of the Washer

**IMPORTANT:** To avoid damaging the washer's finish, do not use abrasive products.

Use an affresh® Machine Cleaning Wipe or a soft, damp cloth or sponge to wipe up any spills. Occasionally wipe the outside of your washer to help keep it looking new. Use an affresh® Machine Cleaning Wipe or mild soap and water.

## Clean Washer Cycle Reminder

**NOTE:** Not all models have the Clean Washer with affresh® cycle reminder light.

The Clean Washer with affresh® message will flash at the end of a wash cycle when the washer has run 30 wash cycles. This is a reminder to run the Clean Washer with affresh® cycle.

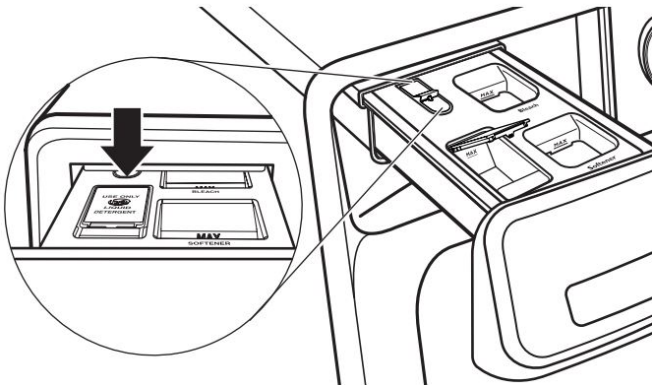
If the Clean Washer with affresh® cycle is not run, the message will stop flashing at the end of a wash cycle after running three more regular wash cycles. After 30 more wash cycles are completed, the Clean Washer with affresh® message will again flash at the end of a wash cycle as a reminder.

## Removing the Dispenser

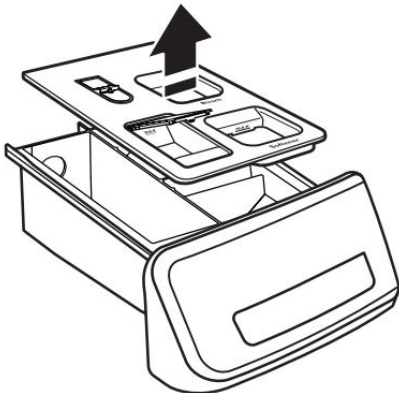
### Optimal Dispenser Drawer (on some models)

To remove:

1. Pull dispenser drawer out until it stops.
2. Press down on the release tab and pull straight out to remove the dispenser.

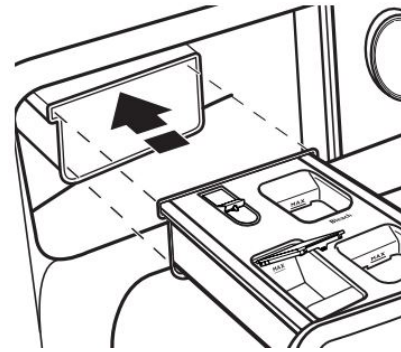


3. Lift off cover panel by pulling straight up.



To replace:

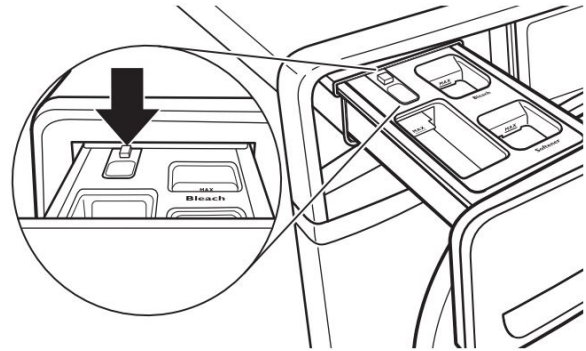
1. Slide cover panel back onto posts on dispenser.
2. Align edges of dispenser with guides in washer; then slide dispenser back into slot.



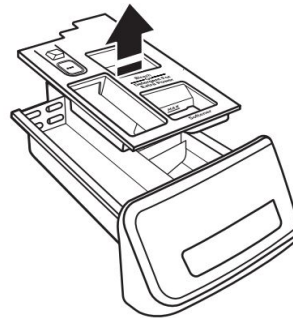
### Single-Load Dispenser Drawer (on some models)

To remove:

1. Pull dispenser drawer out until it stops.
2. Press down on the release tab and pull straight out to remove the dispenser.

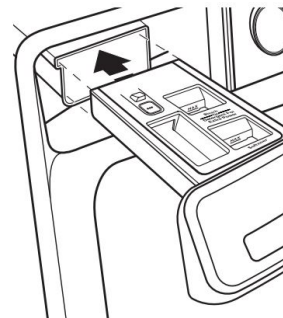


3. Lift off cover panel by pulling straight up.



To replace:

1. Position cover panel back onto posts on dispenser. Apply slight pressure on cover panel to seat it.
2. Align edges of dispenser with guides in washer; then slide dispenser back into slot.

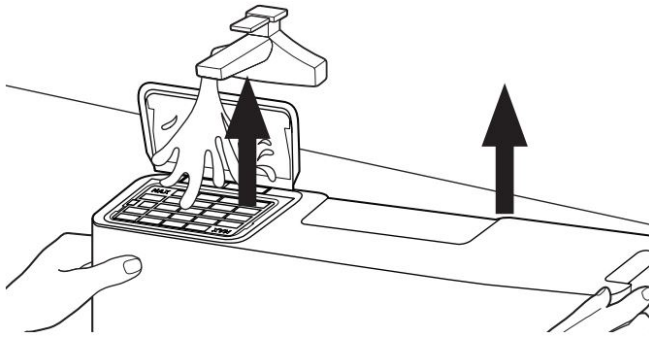


## Cleaning Load & Go™ Containers (on some models)

**IMPORTANT:** Containers are not dishwasher-safe.

It is recommended that you rinse out the Load & Go™ containers when refilling, when changing detergent types or concentrations, or when the washer will not be used for an extended period.

1. Pull the dispenser drawer out until it stops.
2. Lift out the Load & Go™ containers.
3. Lift the fill lid and flush interior thoroughly with warm water.



4. Allow to air dry.

## Nonuse and Vacation Care

Operate your washer only when you are home. If moving, or not using your washer for a period of time, follow these steps:

1. Unplug or disconnect power to washer.
2. Turn off water supply to washer to avoid flooding due to water pressure surges.

**HELPFUL TIP:** Attach a reminder note to the washer to turn the water back on before washer's next use.

3. Clean the dispensers. See "Cleaning the Dispensers."

## Winter Storage Care

**IMPORTANT:** To avoid damage, install and store washer where it will not freeze. Because some water may stay in hoses, freezing can damage washer. If storing or moving during freezing weather, winterize your washer.

### To winterize washer:

1. Shut off both water faucets; disconnect and drain water inlet hoses.

**HELPFUL TIP:** Attach a reminder note to the washer to turn the water back on before washer's next use.

2. Remove drain pump filter.
3. Put 1 quart (1 L) of R.V.-type antifreeze in drum and run washer on Normal cycle for about 2 minutes to mix antifreeze and remaining water.
4. Unplug washer or disconnect power.

## Transporting Your Washer

1. Shut off both water faucets. Disconnect and drain water inlet hoses.
2. If washer will be moved during freezing weather, follow "Winter Storage Care" directions before moving.
3. Disconnect drain hose from drain system and from back of washer.
4. Unplug power cord.
5. Place inlet hoses and drain hose inside drum.
6. Bundle power cord with a rubber band or cable tie to keep it from hanging to the ground.

**IMPORTANT:** Call for service to install new transport bolts. Do not reuse transport bolts. Washer must be transported in the upright position. To avoid structural damage to your washer, it must be properly set up for relocation by a certified technician.

## Reinstalling/Using Washer Again

### ⚠ WARNING



#### Electrical Shock Hazard

**Plug into a grounded 3 prong outlet.**

**Do not remove ground prong.**

**Do not use an adapter.**

**Do not use an extension cord.**

**Failure to follow these instructions can result in death, fire, or electrical shock.**

### To reinstall washer after nonuse, vacation, winter storage, or moving:

1. Refer to Installation Instructions to locate, level, and connect washer.
2. Before using again, run washer through the following recommended procedure:

#### To use washer again:

1. Flush water pipes and hoses.
2. Reconnect water-inlet hoses.
3. Turn on both water faucets.
4. Plug into a grounded 3-prong outlet or reconnect power.
5. Run washer through Heavy Duty/Power Wash cycle to clean washer and remove antifreeze, if used. Use only HE detergent. Use half the manufacturer's recommended amount for a medium-size load.

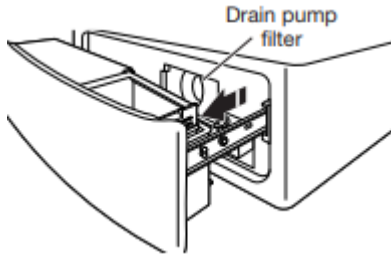


## Cleaning the Drain Pump/Draining Residual Water (on some models)

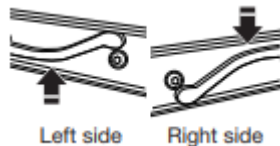
**IMPORTANT:** Make sure the washer is off before cleaning the drain pump filter.

**NOTE:** Perform the following procedure occasionally.

1. Open the dispenser drawer by pulling on the handle at the base of the washer. This will reveal the drain pump filter. Remove the drawer by releasing the tab on each side.

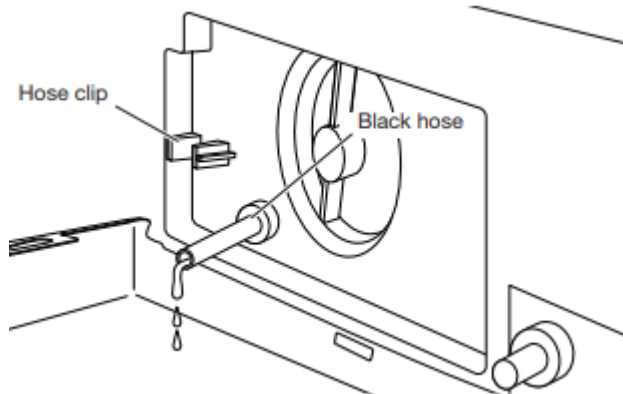


With your finger, push down on tab on right side of drawer, and up on tab on left side of drawer.

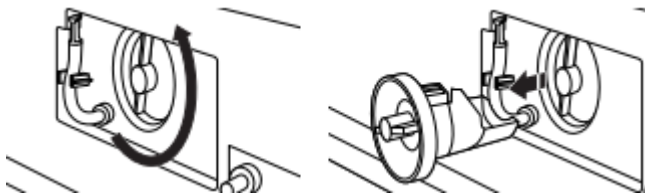


2. Place a broad, flat container beneath the drain pump filter to collect the drain water. Release the black hose from the hose clip, remove the plug, and drain the hose into the container. Empty the container. Repeat this procedure if necessary until all the water has drained. Make sure that the black hose is completely dry, replace the plug, and secure the hose in the clip.

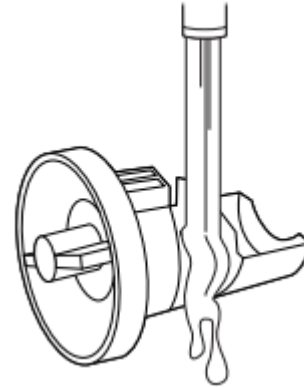
**NOTE:** If water does not drain well, push in hose slightly to remove any possible kinks.



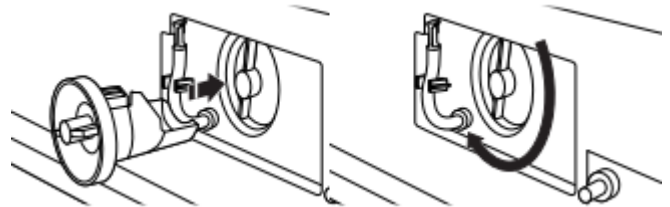
3. Lay a cotton cloth beneath the drain pump filter to absorb any water still in it. Then remove the drain pump filter by turning it counterclockwise.



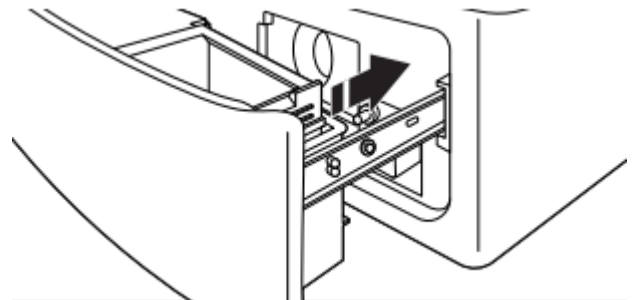
4. Remove large clumps of lint by hand from the filter and place lint in a suitable waste container. Remove remaining residue from the filter by rinsing with water.



5. Reinsert the drain pump filter by turning it clockwise. Make sure to turn it in as far as it will go, with the filter handle remaining as close as possible to the vertical position.



6. Replace and close the dispenser drawer. Make sure to insert both rails simultaneously when replacing the drawer. You will hear a clicking sound that indicates the rails have engaged. To ensure proper placement of the drawer, pull out fully. The drawer should be fully engaged and the rails locked in place. Make sure the drain hose is secured in the hose clip and tucked underneath the cutout.



## Additional Cleaning

Gently pull back the rubber door seal and clean any stained areas, soil buildup, or lint with the textured side of an affresh® Machine Cleaning Wipe.



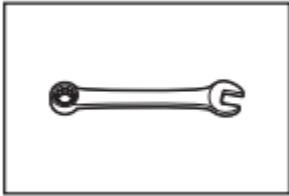
# INSTALLATION INSTRUCTIONS

## REQUIREMENTS

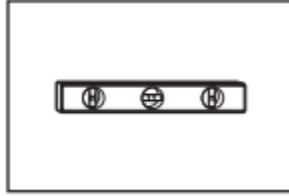
### Tools and Parts

Gather required tools and parts before starting installation.

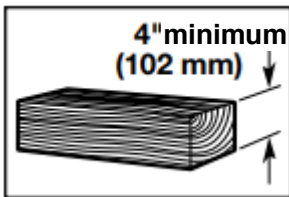
#### Tools Needed:



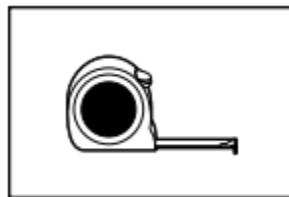
Adjustable or open end wrenches 1/2" (13 mm), 5/8" (16 mm), and 9/16" (14.3 mm)



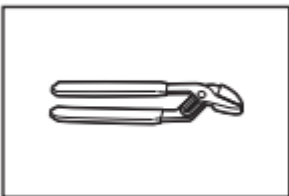
Level



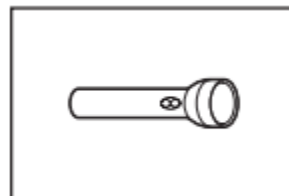
Wood block



Ruler or measuring tape



Adjustable pliers that open to 1 9/16" (39.7 mm)



Flashlight



Bucket

#### Parts Supplied:

**NOTE:** All parts supplied for installations are in the washer.



Drain hose with clamp, U-form, and cable tie

#### Parts Needed: (if not supplied with washer)



Inlet hoses with flat washers

**NOTE:** Various inlet hose options are available; check your Quick Start Guide for ordering information.

#### Available Accessories

An optional matching pedestal is available for your washer. Please contact your retailer for ordering information, or see your Quick Start Guide.

#### Alternate Parts (not supplied with washer)

Your installation may require additional parts. To order, please refer to contact information on your Quick Start Guide.

If you have:	You will need:
Overhead sewer	Standard 20 gallon (76 L) 39" (990 mm) tall drain tub or utility sink, sump pump, and connectors (available from local plumbing suppliers)

### Location Requirements

**IMPORTANT:** Do not install, store, or operate washer where it will be exposed to weather or in temperatures below 32°F (0°C). Water remaining in washer after use may cause damage in low temperatures. See "Washer Maintenance and Care" for winterizing information.

Select proper location for your washer to improve performance and minimize noise and possible "washer walk." Install your washer in a basement, laundry room, closet or recessed area.

Proper installation is your responsibility.

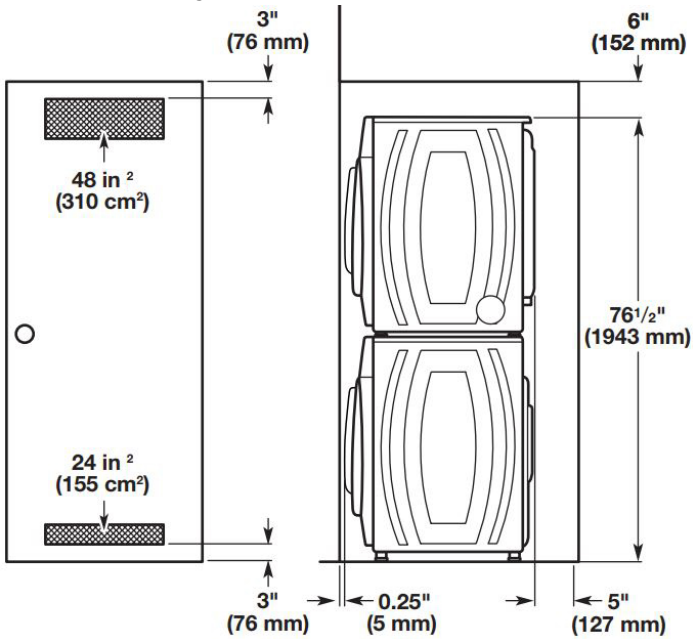
#### You will need

- A water heater set to 120°F (49°C).
- A grounded electrical outlet located within 6 feet (1.8 m) of power cord on back of washer.
- Hot and cold water faucets located within 4 feet (1.2 m) of hot and cold water fill valves on washer, and water pressure of 20–100 psi (137.9–689.6 kPa).
- A level floor with maximum slope of 1" (25 mm) under entire washer. Installing on carpet or surfaces with foam backing is not recommended.
- Floor must support washer's total weight (with water and load) of 315 pounds (143 kg).

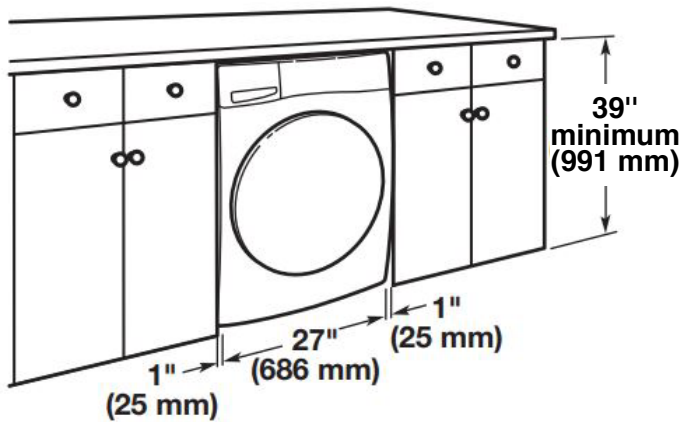
All dimensions show minimum spacing allowed. For each arrangement, consider allowing more space for ease of installation and servicing, and spacing for companion appliances and clearances for walls, doors, and floor moldings. Space must be large enough to allow door to fully open. Add spacing of 1" (25 mm) on all sides of washer to reduce noise transfer. If a closet door or louvered door is installed, top and bottom air openings in door are required.

**NOTE:** For additional details (or information) specific to your model, refer to your Quick Start Guide.

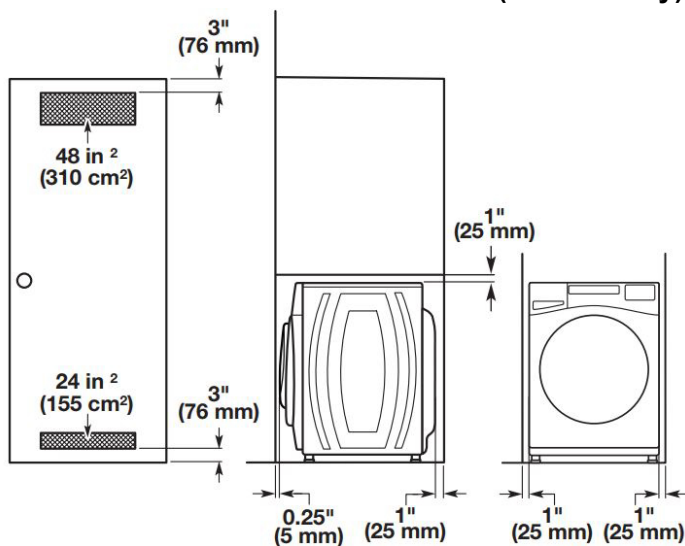
**Recessed area or closet installation (stacked washer and dryer)**



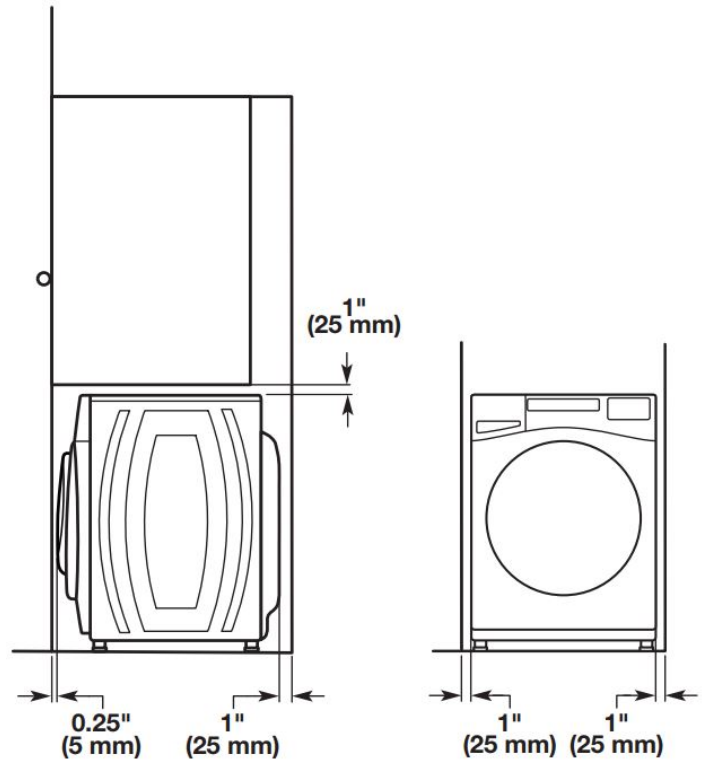
**Custom under counter installation**



**Recessed area or closet installation (washer only)**



**Custom cabinet installation**



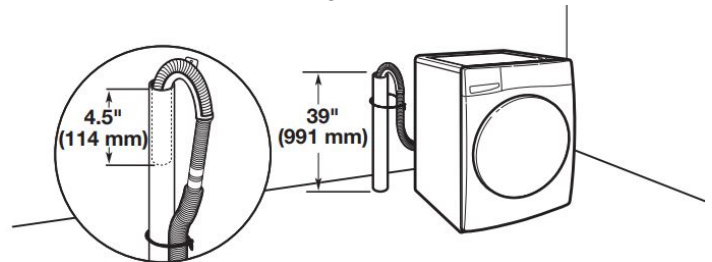
**Drain System**

It is the responsibility of the installer to install and secure the drain hose in to the provided plumbing/drain in a manner that will avoid the drain hose coming out of or leaking from the plumbing/drain.

Drain system can be installed using a floor drain, wall standpipe, floor standpipe, or laundry tub. Select the method you need.

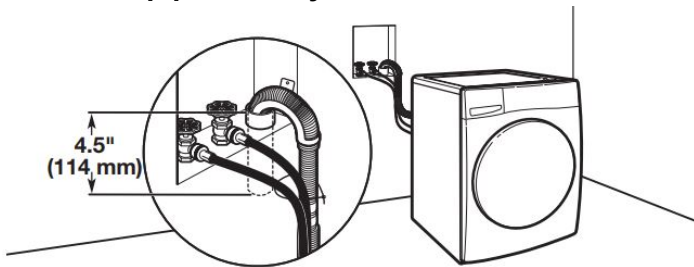
**IMPORTANT:** To avoid siphoning, only 4.5" (114 mm) of drain hose should be inside standpipe. Always secure drain hose with cable tie.

**Floor standpipe drain system**



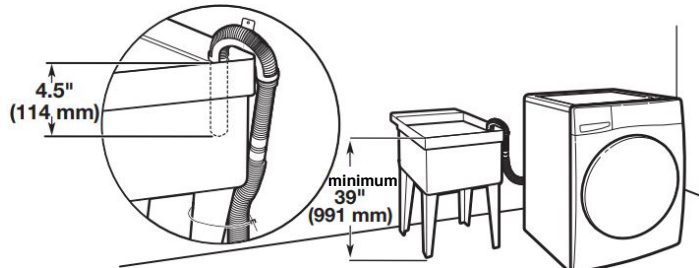
Minimum diameter for a standpipe drain: 2" (51 mm). Minimum carry-away capacity: 17 gallons (64 L) per minute. A 1/4" (6 mm) diameter to 1" (25 mm) diameter Standpipe Adapter Kit is available; refer to the Quick Start Guide for online ordering information. Top of standpipe must be at least 39" (762 mm) high; install no higher than 96" (2.4 m) from bottom of washer. If you have an overhead sewer and need to pump higher than 96" (2.4 m), a sump pump and associated hardware are needed. See "Alternate Parts."

## Wall standpipe drain system

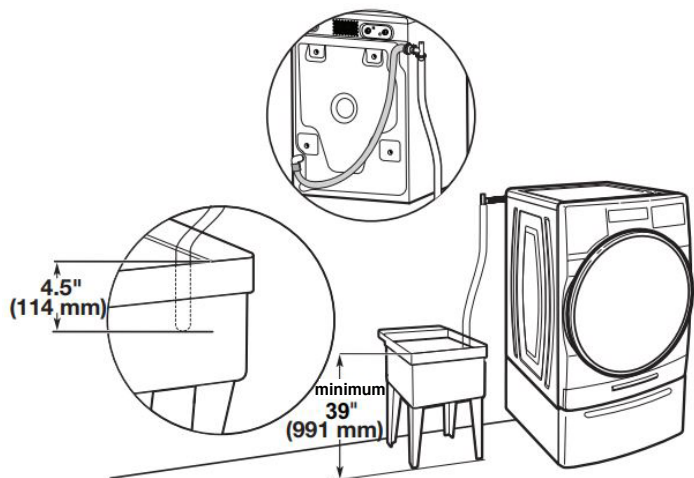


See requirements in "Floor standpipe drain system."

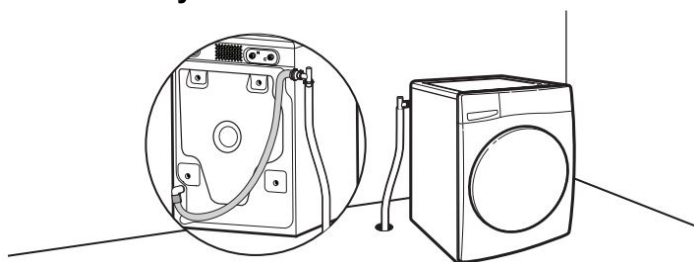
## Laundry tub drain system



Minimum capacity: 20 gallons (76 L). Top of laundry tub must be at least 39" (991 mm) from the floor; install no higher than 96" (2.4 m) from bottom of washer.



## Floor drain system



Floor drain system requires a Siphon Break Kit, 2 Connector Kits, and an Extension Drain Hose that may be purchased separately; refer to the Quick Start Guide for online ordering information. Minimum siphon break height: 28" (710 mm) from bottom of washer. (Additional hoses may be needed.)

## Electrical Requirements

### ⚠ WARNING



#### Electrical Shock Hazard

**Plug into a grounded 3 prong outlet.**

**Do not remove ground prong.**

**Do not use an adapter.**

**Do not use an extension cord.**

**Failure to follow these instructions can result in death, fire, or electrical shock.**

- A 120 V, 60 Hz, AC only, 15 or 20 A, fused electrical supply is required. A time-delay fuse or circuit breaker is recommended. It is recommended that a separate circuit breaker serving only this appliance be provided.
- This washer is equipped with a power supply cord having a 3-prong grounding plug.
- To minimize possible shock hazard, the cord must be plugged into a mating, 3-prong, grounding-type outlet, grounded in accordance with local codes and ordinances. If a mating outlet is not available, it is the personal responsibility and obligation of the customer to have the properly grounded outlet installed by a qualified electrician.
- If codes permit and a separate ground wire is used, it is recommended that a qualified electrician determine that the ground path is adequate.
- Do not ground to a gas pipe.
- Check with a qualified electrician if you are not sure the washer is properly grounded.
- Do not have a fuse in the neutral or ground circuit.

### GROUNDING INSTRUCTIONS

#### For a grounded, cord-connected appliance:

This appliance must be grounded. In the event of a malfunction or breakdown, grounding will reduce the risk of electric shock by providing a path of least resistance for electric current. This appliance is equipped with a cord having an equipment-grounding conductor and a grounding plug. The plug must be plugged into an appropriate outlet that is properly installed and grounded in accordance with all local codes and ordinances.

**WARNING:** Improper connection of the equipment-grounding conductor can result in a risk of electric shock. Check with a qualified electrician or serviceman if you are in doubt as to whether the appliance is properly grounded. Do not modify the plug provided with the appliance: If it will not fit the outlet, have a proper outlet installed by a qualified electrician.

#### For a permanently connected appliance:

This appliance must be connected to a grounded metal, permanent wiring system, or an equipment-grounding conductor must be run with the circuit conductors and connected to the equipment-grounding terminal or lead on the appliance.

**SAVE THESE INSTRUCTIONS**



# INSTALLATION

## Unpacking

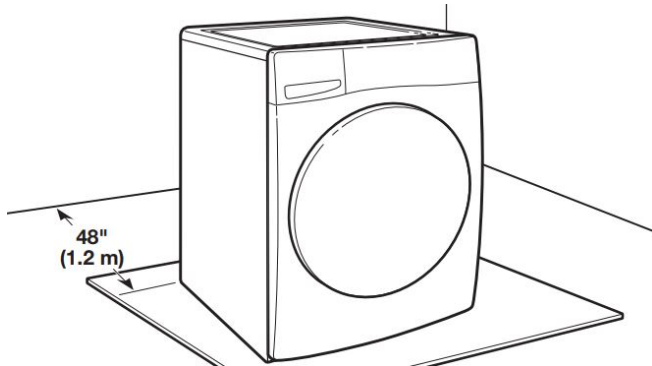
### **⚠ WARNING**

#### **Excessive Weight Hazard**

Use two or more people to move and install or uninstall appliance.

Failure to do so can result in back or other injury.

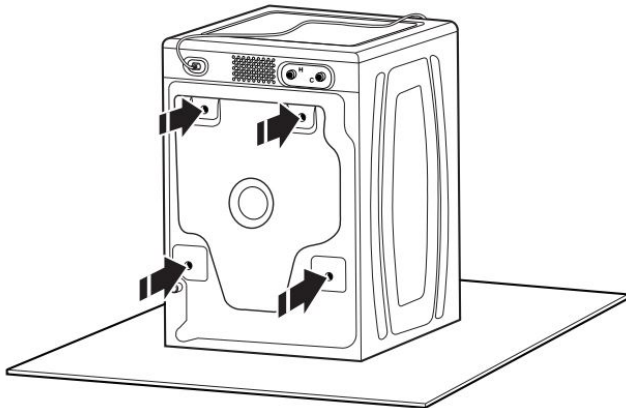
### 1. Move washer



It is necessary to remove all shipping materials for proper operation and to avoid excessive noise from washer.

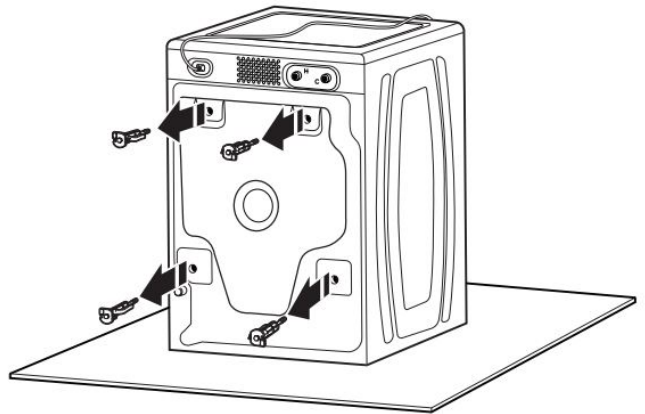
Move washer to within 4 feet (1.2 m) of its final location. It must be in a fully upright position.

### 2. Locate transport bolts



Locate four transport bolts on rear of washer.

### 3. Remove transport bolts from washer

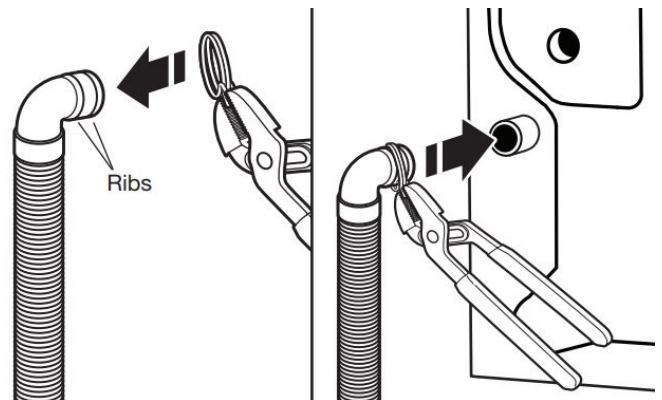


Loosen bolts with a 5/8" (16 mm) wrench. Slide each bolt and spacer to center of hole. Pull bolts and plastic spacers from back of washer. Discard bolts and spacers.

**IMPORTANT:** Do not plug washer in until installation has been completed.

## Connect Drain Hose

### 4. Attach drain hose to drain port



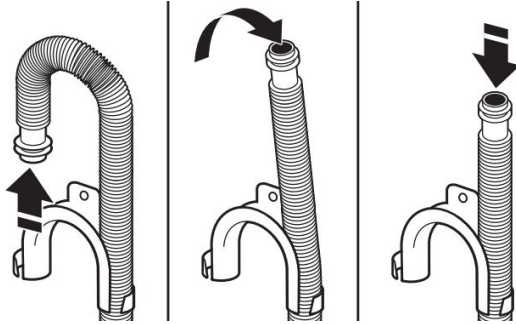
If clamp is not already in place on elbow end of drain hose, squeeze clamp with pliers and slide it over end of hose, centering it between the ribs, as shown. Squeeze clamp with pliers and slide elbow end of drain hose onto drain port and secure with clamp.

For a laundry tub or standpipe drain, go to step 6.

For a floor drain, remove the preinstalled drain hose form as shown in step 5. You may need additional parts with separate directions. See "Alternate Parts."

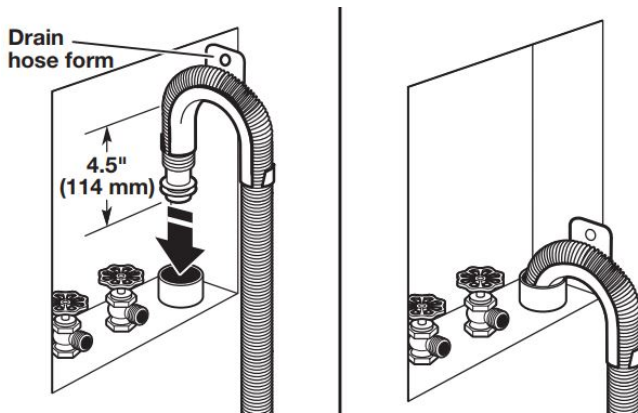
It is the responsibility of the installer to install and secure the drain hose into the provided plumbing/drain in a manner that will avoid the drain hose coming out of or leaking from the plumbing/drain.

**5. Remove drain hose form (floor drain installations only)**



For floor drain installations, you will need to remove the drain hose form from the end of the drain hose. You may need additional parts with separate directions; refer to the Quick Start Guide.

**6. Place drain hose in standpipe**



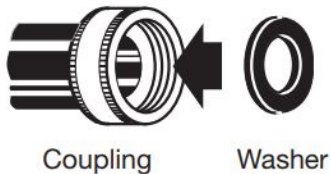
Place hose into standpipe (shown in picture) or over side of laundry tub.

**IMPORTANT:** 4.5" (114 mm) of drain hose should be inside standpipe; do not force excess hose into standpipe or lay on bottom of laundry tub. Drain hose form must be used.

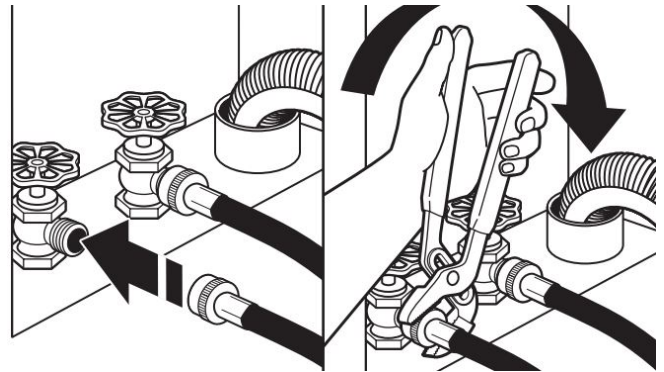
**Connect Inlet Hoses**

**IMPORTANT:** To avoid leaks, check that your water inlet hoses have flat washers at both ends. Washer must be connected to water faucets with new inlet hoses with flat washers (not provided). Do not use old hoses. Do not use hoses without washers.

**7. Insert new flat washers**



**8. Connect inlet hoses to water faucets**



**IMPORTANT:** Do not overtighten or use tape or sealants on valve when attaching to faucets or washer. Damage can result.

Attach the hose labeled hot to hot water faucet. Screw on coupling by hand until it is seated on washer. Use adjustable pliers to tighten couplings an additional two-thirds turn. Repeat this step with the hose labeled cold for the cold water faucet. Both hoses must be connected for washer to work properly.

**HELPFUL TIP:** Make note of which hose is connected to hot water to help in attaching hoses to washer correctly. In most standard configurations, hoses will cross over each other when attached correctly.

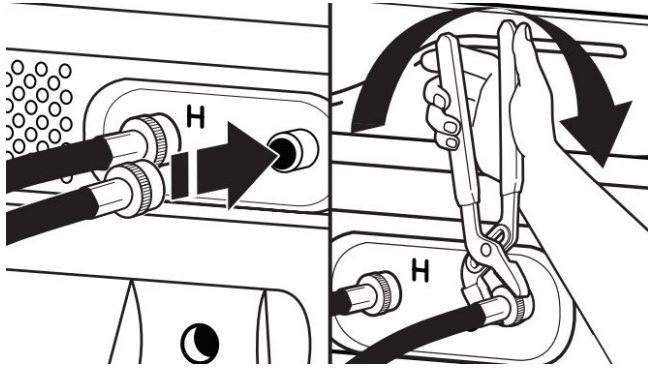
**9. Clear water lines**



Run water for a few seconds through hoses into a laundry tub, drainpipe, or bucket to prevent clogs. Water should run until clear.



## 10. Connect inlet hoses to washer

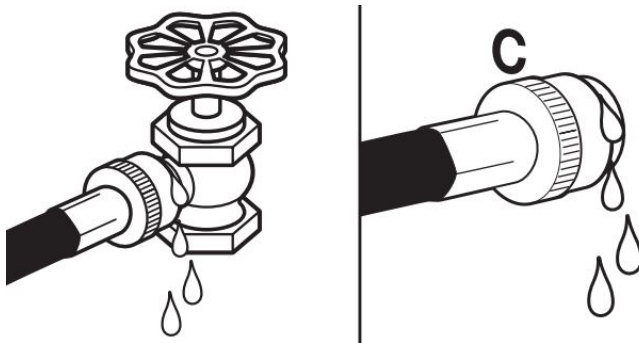


**IMPORTANT:** To reduce risk of hose failure, replace the hoses every 5 years. Record hose installation or replacement dates for future reference.

- Do not overtighten hose or use tape or sealants on the valve. Damage to the valves can result.
- Periodically inspect and replace hoses if bulges, kinks, cuts, wear, or leaks are found.

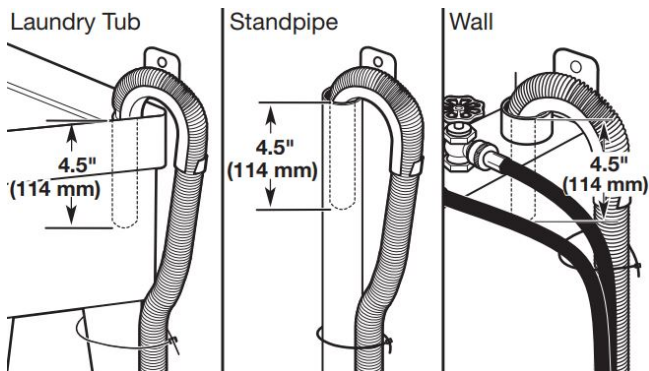
Attach hot water hose to hot water inlet valve. Screw coupling by hand until it is snug. Use adjustable pliers to tighten couplings an additional two-thirds turn. Repeat with cold water inlet valve.

## 11. Check for leaks



Slowly turn on water faucets to check for leaks. A small amount of water may enter washer. It will drain later.

## 12. Secure drain hose



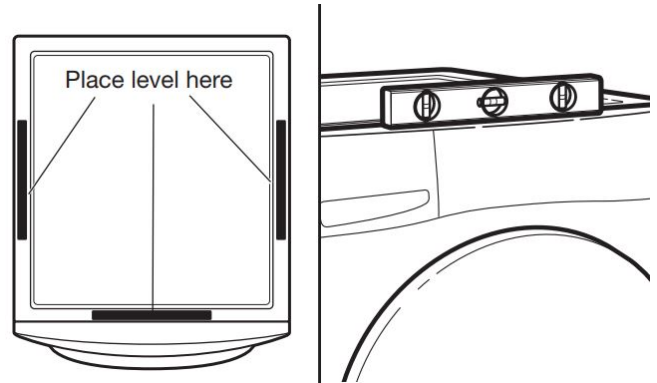
Secure drain hose to laundry tub leg, drain standpipe, or inlet hoses for wall standpipe with cable tie or beaded tie strap.

It is the responsibility of the installer to install and secure the drain hose in to the provided plumbing/drain in a manner that will avoid the drain hose coming out of or leaking from the plumbing/drain.

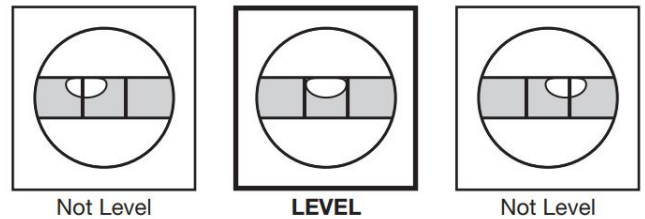
## Level Washer

**IMPORTANT:** Leveling your washer properly reduces excess noise and vibration.

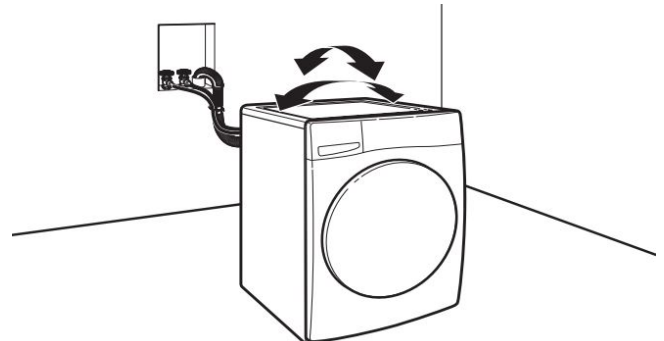
## 13. Check levelness of washer



Remove cardboard from beneath washer. Place a level on top edges of washer, checking each side and front. If not level, tip washer and adjust feet up or down as shown in steps 15 and 16, repeating as necessary.

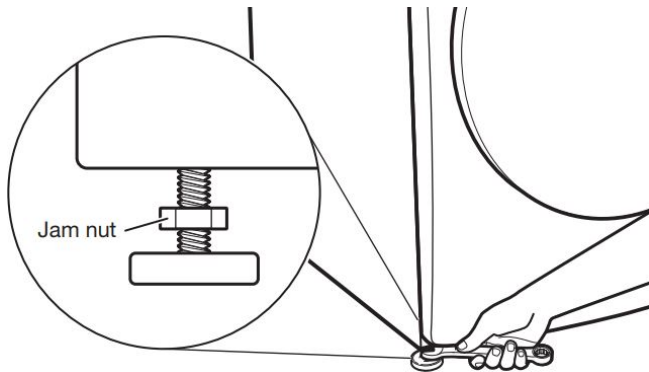


## 14. Rock washer to test foot contact



Grip washer from top and rock back and forth, making sure all four feet are firmly on floor. Repeat, rocking washer from side to side. If washer rocks, go to step 15 and adjust leveling feet. If all four feet are in firm contact with floor, go to step 16.

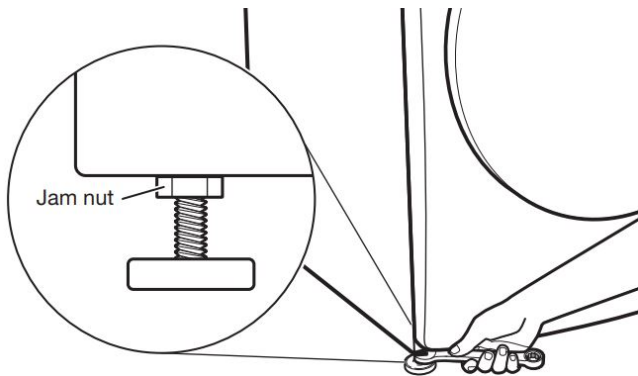
## 15. Adjust leveling feet



If washer is not level, use a 9/16" (14.3 mm) open-end or adjustable wrench to turn jam nuts clockwise on feet until they are about 1/2" (13 mm) from the washer cabinet. Then turn the leveling foot clockwise to lower the washer or counterclockwise to raise the washer. Do not exceed 2" (50 mm) from bottom of foot to bottom of cabinet. Recheck levelness of washer and that all four feet are firmly in contact with the floor. Repeat as needed.

**HELPFUL TIP:** You may want to prop up front of washer about 4" (102 mm) with a wood block or similar object that will support weight of washer.

## 16. Tighten leveling feet



When washer is level and all four feet are firmly in contact with the floor, use a 9/16" (14.3 mm) open-end or adjustable wrench to turn jam nuts counterclockwise on leveling feet tightly against washer cabinet.

**HELPFUL TIP:** You may want to prop washer again with a wooden block.

## ⚠ WARNING



### Electrical Shock Hazard

**Plug into a grounded 3 prong outlet.**

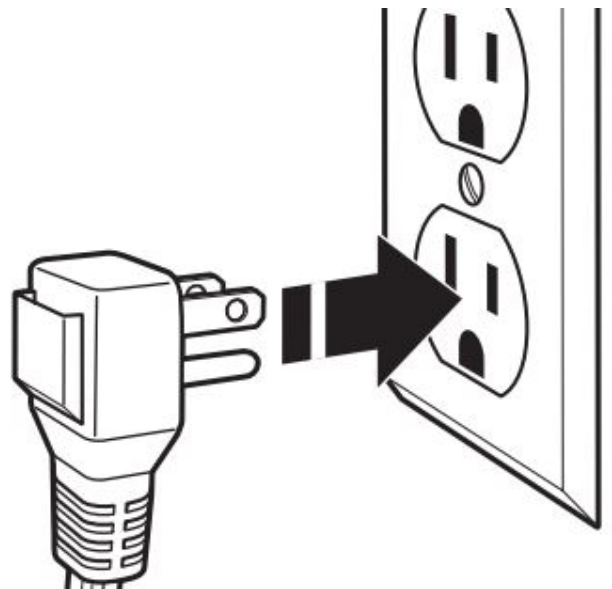
**Do not remove ground prong.**

**Do not use an adapter.**

**Do not use an extension cord.**

**Failure to follow these instructions can result in death, fire, or electrical shock.**

## 17. Plug into a grounded 3 prong outlet



## Complete Installation Checklist

- Check electrical requirements. Be sure you have correct electrical supply and recommended grounding method.
- Check that all parts are now installed. If there is an extra part, go back through steps to see what was skipped.
- Check that you have all of your tools.
- Check that shipping materials were completely removed from washer.
- Check that the washer is level.
- Check that water faucets are on.
- Check for leaks around faucets and inlet hoses.
- Remove protective film from console and any tape remaining on washer.
- Check that washer is plugged into a grounded 3-prong outlet.
- Dispose of/recycle all packaging materials.
- Read the "Washer Maintenance and Care" section.
- To test and clean your washer, press Power and choose the Quick cycle and run it without clothes. Use only HE detergent. Use 1/2 the manufacturer's recommended amount for a medium-size load.

# SÉCURITÉ DE LA LAVEUSE

## Votre sécurité et celle des autres sont très importantes.

Nous donnons de nombreux messages de sécurité importants dans ce manuel et sur votre appareil. Assurez-vous de toujours lire tous les messages de sécurité et de vous y conformer.



Voici le symbole d'alerte de sécurité.

Ce symbole d'alerte de sécurité vous signale les dangers potentiels de décès et de blessures graves.

Tous les messages de sécurité suivront le symbole d'alerte de sécurité et le mot « DANGER » ou « AVERTISSEMENT ». Ces mots signifient :

**▲ DANGER**

**Risque possible de décès ou de blessure grave si vous ne suivez pas immédiatement les instructions.**

**▲ AVERTISSEMENT**

**Risque possible de décès ou de blessure grave si vous ne suivez pas les instructions.**

Tous les messages de sécurité vous diront quel est le danger potentiel, comment réduire le risque de blessure et ce qui peut se produire en cas de non-respect des instructions.

## IMPORTANTES INSTRUCTIONS DE SÉCURITÉ

**AVERTISSEMENT :** Afin de réduire le risque d'incendie, de décharge électrique ou de blessures corporelles lors de l'utilisation de cet appareil, observer certaines précautions fondamentales, notamment :

- Lire toutes les instructions avant d'utiliser l'appareil.
- Ne pas laver d'articles qui ont été précédemment nettoyés, lavés, trempés ou tachés avec de l'essence, des solvants pour nettoyage à sec ou d'autres substances inflammables ou explosives; ces substances dégagent des vapeurs qui pourraient s'enflammer ou exploser.
- Ne pas ajouter d'essence, de solvants pour nettoyage à sec ou d'autres substances inflammables ou explosives à l'eau de lavage. Ces substances dégagent des vapeurs qui pourraient s'enflammer ou exploser.
- Dans certaines conditions, un système d'eau chaude qui n'a pas été utilisé depuis 2 semaines ou plus peut produire de l'hydrogène. L'HYDROGÈNE EST UN GAZ EXPLOSIF. Si le système d'eau chaude est resté inutilisé pendant une telle période, ouvrir tous les robinets d'eau chaude et laisser l'eau s'y écouler pendant plusieurs minutes avant d'utiliser la laveuse. Ceci libérera toute accumulation d'hydrogène. Le gaz est inflammable : ne pas fumer ou utiliser une flamme nue durant cette période.
- Ne pas laisser des enfants jouer sur la laveuse ou à l'intérieur de celui-ci. Une surveillance étroite des enfants est nécessaire lorsque la laveuse est utilisée à proximité d'enfants.
- Retirer la porte de l'appareil avant de le retirer du service ou de le mettre au rebut.
- Ne pas accéder à l'intérieur de l'appareil si la cuve ou l'agitateur sont en mouvement.
- Ne pas installer ou entreposer l'appareil dans un endroit où elle serait exposée aux intempéries.
- Ne pas effectuer d'intervention non autorisée sur les commandes.
- Ne pas réparer ou remplacer une quelconque pièce de l'appareil ou effectuer un entretien qui ne serait pas expressément recommandé dans les instructions d'entretien de l'utilisateur ou dans les instructions de réparation par l'utilisateur et s'assurer de bien comprendre ces instructions et d'être capable de les exécuter.
- Ne pas utiliser de pièces de remplacement qui n'ont pas été recommandées par le fabricant (c.-à-d., pièces fabriquées à la maison à l'aide d'une imprimante 3D).
- Voir les instructions d'installation pour les exigences de mise à la terre et d'installation.

## CONSERVER CES INSTRUCTIONS

### AVERTISSEMENT

Certaines pièces internes sont intentionnellement non reliées à la terre et peuvent présenter un risque de décharge électrique uniquement lors d'une intervention de dépannage.

Personnel d'entretien – Ne pas toucher le support de thermostat lorsque l'appareil est sous tension.

# Guide de connexion Internet pour appareils connectés seulement

**IMPORTANT :** Il est de la responsabilité de l'utilisateur de bien installer l'appareil avant de l'utiliser. Bien lire et suivre le guide d'installation qui accompagne l'appareil.

La connectabilité nécessite un réseau Wi-Fi et la création d'un compte. Les fonctions de l'application peuvent changer. Des frais de transfert de données peuvent s'appliquer. Une fois installée, lancer l'application. Suivre les étapes de configuration du compte d'utilisateur et de connexion de l'appareil.

## Il faut :

- Un routeur sans fil compatible Wi-Fi à 2,4 GHz avec sécurité WPA2. Pour vérifier les capacités du routeur, consulter le manuel d'instructions du fabricant du routeur.
- Le routeur devra être en marche et connecté à Internet.
- Le numéro SAID à 10 caractères de votre appareil. Le numéro SAID est imprimé sur une étiquette collée sur l'appareil ou peut être affiché à l'écran ACL.

## Déclaration de conformité de la Commission fédérale des communications (FCC)

Cet appareil est conforme à la norme FCC, partie 15. Le bon fonctionnement de l'appareil est fonction de deux conditions :

1. Cet appareil ne doit pas produire de brouillage dommageable et
2. cet appareil doit accepter tout brouillage radioélectrique subi, même si le brouillage est susceptible d'en compromettre le fonctionnement.

Tous changements ou toutes modifications n'ayant pas été expressément approuvés par la partie responsable de la conformité pourraient annuler l'autorité de l'utilisateur à utiliser l'appareil.

## Déclaration de conformité d'Industrie Canada (IC)

Cet appareil satisfait aux prescriptions des documents CNR/RSS d'Industrie Canada (utilisation sans licence). Le bon fonctionnement de l'appareil est fonction de deux conditions :

1. Cet appareil ne doit pas produire de brouillage.
2. Cet appareil doit être compatible avec n'importe quelle interférence, y compris des interférences causées par l'utilisation involontaire de l'appareil.

En vertu des règlements d'Industrie Canada, cet émetteur radio ne peut fonctionner qu'à l'aide d'une antenne d'un type et de gain maximum (ou moins) approuvé pour l'émetteur par Industrie Canada. Pour réduire les interférences radio potentielles pour les autres utilisateurs, le type d'antenne et son gain doivent être choisis de sorte que la puissance isotrope rayonnée équivalente (PIRE) ne dépasse pas ce qui est nécessaire pour une communication réussie.

Pour satisfaire aux exigences de la FCC et d'Industrie Canada sur l'exposition aux radiations de radiodiffusion, les antennes utilisées avec cet émetteur doivent être installées de telle sorte qu'il y ait une distance de 20 cm ou plus séparant la source de radiation (antenne) et toute personne en tout temps et ne doit pas être co-utilisée ou fonctionner en même temps qu'une autre antenne ou qu'un émetteur.

Si cet appareil cause des interférences nuisibles à la réception radio ou télévision, pouvant être déterminées par le fait d'allumer et d'éteindre l'appareil, l'utilisateur est encouragé à essayer de corriger les interférences en suivant l'un des conseils suivants :

- Réorienter ou déplacer l'antenne de réception.
- Augmenter la distance séparant l'appareil du récepteur.
- Brancher l'appareil sur un circuit différent de celui où le récepteur est branché.
- Contacter un revendeur ou un technicien radio/télévision qualifié pour obtenir de l'aide.

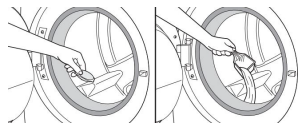
# CHOIX DU DÉTERGENT APPROPRIÉ

Utiliser uniquement des détergents haute efficacité. L'emballage portera la mention « HE » ou « High Efficiency » (haute efficacité). Un lavage avec faible consommation d'eau produit un excès de mousse avec un détergent non HE. Il est probable que l'utilisation d'un détergent autre que HE prolonge la durée des programmes et réduise la performance de rinçage. Ceci peut aussi entraîner des défaillances des composants et, avec le temps, une accumulation de moisissure. Les détergents HE devraient produire peu de mousse et se dissoudre rapidement et créer une quantité de mousse idéale pour une performance optimale. Ils devraient retenir les particules de saleté en suspension afin qu'elles ne se déposent pas de nouveau sur les vêtements propres. Les détergents identifiés HE ne sont pas tous identiques et ne produisent pas tous la même quantité de mousse. Par exemple, les détergents HE, naturels, organiques et faits maison peuvent produire une plus grande quantité de mousse. Si l'un de ces produits est utilisé et que le code d'erreur « Sd » ou « Sud » s'affiche sur l'afficheur, l'utilisation d'un autre détergent HE est conseillée. Toujours suivre les recommandations du fabricant de détergent pour déterminer la quantité de détergent à utiliser. Ne pas remplir au-delà de la ligne MAX sur le distributeur.

## Ajouter les produits de lessive

### Ajouter du détergent HE au panier :

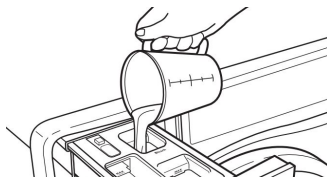
On peut ajouter des sachets de lessive à dose unique, des activateurs de lessive de type Oxi, de javellisant non décolorant ou des cristaux parfumés dans le tambour avant d'ajouter la lessive. Lors de l'utilisation de sachets de lessive à dose unique, s'assurer que le distributeur Load & Go est désactivé (sur certains modèles) ou éteint.



**REMARQUE :** Suivre les instructions du fabricant pour déterminer la quantité de produits de lessive à utiliser.

### Verser de l'eau de Javel dans le distributeur pour charge unique :

Verser l'eau de Javel dans le compartiment pour eau de Javel. Ne pas remplir excessivement le distributeur, diluer le produit ou utiliser plus de 2/3 tasse (165 mL). Ne pas utiliser d'agent de blanchiment sans danger pour les couleurs ni de produit Oxi avec un programme utilisant de l'eau de Javel.

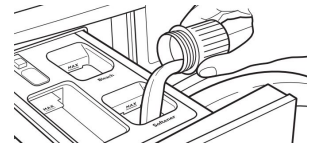


### IMPORTANT :

- Toujours mesurer la quantité d'eau de Javel. Utiliser une tasse à mesurer avec un bec verseur; ne pas utiliser une quantité approximative.
- Ne pas remplir au-delà du niveau « Max ». Un remplissage excessif pourrait endommager les vêtements.
- Ne pas utiliser de l'eau de Javel épaisse, facile à verser ou anti-éclaboussure lorsque le programme Clean Washer with affresh®+ (nettoyage de la laveuse avec affresh®) est en cours, car cela peut entraîner une surproduction de mousse.
- Sur certains modèles : Ne pas verser de l'eau de Javel dans le distributeur de vrac.
- Fermer lentement les tiroirs distributeurs. S'assurer que les tiroirs sont fermés complètement (sur certains modèles).

### Verser de l'assouplissant de tissu liquide dans le distributeur pour charge unique :

Verser une mesure de l'assouplissant de tissu liquide dans le compartiment d'assouplissant de tissu liquide. Toujours suivre les instructions du fabricant pour connaître la quantité d'assouplissant de tissu adéquate en fonction de la taille de la charge. Désactiver le distributeur™ de 1 L Load & Go s'il n'est pas utilisé pour distribuer du détergent (sur certains modèles).



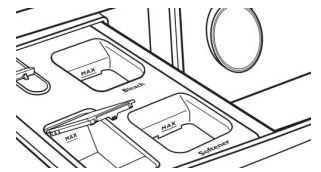
L'assouplissant de tissu est toujours distribué lors du rinçage final, même si l'on a sélectionné Extra Rinse.

**IMPORTANT :** Ne pas remplir excessivement le distributeur, diluer le produit ou utiliser plus de la quantité d'assouplissant recommandée par le fabricant. Ne pas remplir au-delà du niveau « MAX ». Si l'on remplit excessivement le distributeur, l'assouplissant de tissu sera immédiatement distribué dans la laveuse.

- Ne pas renverser ou faire couler d'assouplissant de tissu sur les vêtements.
- Ne pas utiliser de boules distributrices d'assouplissant de tissu dans cette laveuse. Ces produits ne se dissoudront pas correctement.
- Ne pas utiliser de feuilles d'assouplissant, car elles peuvent tacher la charge.

### Ajouter du détergent HE au tiroir distributeur optimal (sur certains modèles) :

Le compartiment peut contenir jusqu'à 14,3 oz (424 mL) de détergent liquide HE, ainsi il n'est pas nécessaire de remplir le compartiment de détergent pour chaque charge. De plus, le compartiment distribue juste la bonne quantité de détergent nécessaire pour une charge/un programme particulier.



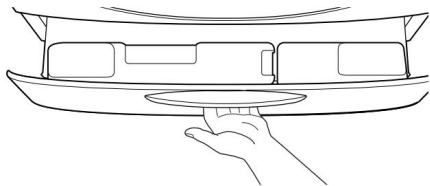
**REMARQUE :** Ne pas placer de sachets de lessive à dose unique, d'activateurs de lessive de type Oxi, d'agent de blanchiment sans danger pour les couleurs ou d'assouplissant pour tissu sous forme de cristaux dans les distributeurs. Ces produits ne se dissoudront pas correctement.



### Ajouter du détergent HE au distributeur Load & Go™ Distributeur (sur certains modèles) :

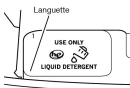
Utiliser uniquement un détergent liquide Haute efficacité (HE). Les distributeurs Load & Go peuvent contenir jusqu'à 67,6 oz (2 L) ou 33,8 oz (1 L) de détergent HE liquide ou suffisamment pour plusieurs charges de lessive.

### Remplissage du distributeur en vrac (sur certains modèles) :



Ouvrir le tiroir distributeur en tirant sur la poignée à la base de la laveuse. Si désiré, le tiroir peut être complètement retiré de la laveuse.

Trouver le distributeur de vrac™ Load & Go. Tirer doucement sur la languette située sur le couvercle du distributeur pour soulever la porte de remplissage.



Remplir jusqu'à la ligne « MAX » (voir les illustrations ci-contre) avec du détergent HE liquide ou de l'assouplissant liquide (distributeur 1 litre seulement). Fermer la porte de remplissage. Elle s'emboîte. S'assurer que le réglage de concentration est correct (voir le « guide des programmes » en ligne).



Il est recommandé de rincer les distributeurs™ avant son remplissage, lorsqu'on change de type ou de concentration de détergent ou si on n'utilise pas la laveuse pendant une période prolongée. Pour les instructions concernant le nettoyage de la cartouche du distributeur, consulter le point « Entretien de la laveuse » dans la section « Entretien et réparation de la laveuse » de votre manuel de l'utilisateur.

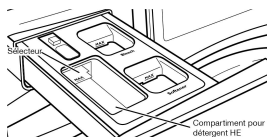


### Ajouter du détergent HE au distributeur pour charge unique :

Verser une mesure de détergent HE dans le compartiment à détergent.

Pour du détergent en poudre, soulever le sélecteur vers la position supérieure. Pour le détergent liquide, abaisser le sélecteur jusqu'en position inférieure.

Ne pas remplir excessivement; ajouter trop de détergent peut entraîner sa distribution prématurée dans la laveuse.



### IMPORTANT :

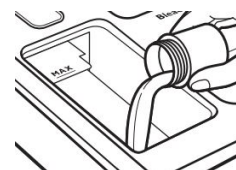
- Désactiver l'option Load & Go™ Avant de lancer une charge unique (sur certains modèles).
- Ne pas ajouter de sachet de lessive à dose unique dans le tiroir distributeur.

### Détergent en poudre :



Soulever le sélecteur en position élevée. Ajouter directement dans le compartiment.

### Détergent liquide :



Appuyer sur le sélecteur pour le placer en position basse. Ajouter directement dans le compartiment.

## ENTRETIEN ET RÉPARATION DE LA LAVEUSE

### Nettoyage de l'emplacement de la laveuse

Éviter de laisser autour de la laveuse des éléments qui pourraient obstruer la circulation de l'air et empêcher le bon séchage. Ceci implique de dégager également les éventuelles piles de vêtements placées devant la laveuse.

### Tuyaux d'arrivée d'eau

Remplacer les tuyaux d'arrivée d'eau après 5 ans d'utilisation pour réduire le risque de défaillance intempestive. Inspecter périodiquement les tuyaux; les remplacer en cas de renflement, de déformation, de coupure et d'usure ou de fuite.

Lors du remplacement de vos tuyaux d'arrivée d'eau :

- Noter la date de remplacement au marqueur indélébile sur l'étiquette.
- Vérifier que les vieilles rondelles ne sont pas coincées dans les valves d'arrivée d'eau de la laveuse.
- Utiliser de nouvelles rondelles avec les nouveaux tuyaux d'entrée pour assurer une bonne étanchéité.

## Entretien de la laveuse

### Recommandations pour une laveuse propre et pour un niveau de performance optimal

1. Utiliser toujours un détergent HE (haute efficacité) et employer la quantité de détergent recommandée par le fabricant du détergent HE. Ne jamais utiliser plus que la quantité recommandée de détergent, car ceci peut augmenter le taux d'accumulation de résidus de détergent et de souillures à l'intérieur de la laveuse, ce qui pourrait entraîner la formation d'odeurs indésirables.
2. Exécuter périodiquement des lavages avec de l'eau tiède ou chaude (pas exclusivement des lavages à l'eau froide), car l'eau chaude facilite l'élimination des résidus de détergent et de souillures.
3. Veiller à toujours laisser le couvercle de la laveuse ouvert entre deux utilisations pour qu'elle puisse sécher, et pour éviter l'accumulation de résidus générateurs d'odeurs.
4. Nettoyer périodiquement les résidus s'accumulant sur les surfaces intérieures du hublot. Pour un meilleur entretien, passer un linge humide sur toute la partie intérieure de la porte.

## Nettoyage de la laveuse à chargement par l'avant

Lire complètement ces instructions avant d'entreprendre les opérations de nettoyage de routine recommandées ci-dessous. Le processus d'entretien de la laveuse doit être exécuté au moins une fois par mois ou à intervalles de 30 lavages (selon la période la plus courte des deux); ceci permettra de contrôler la vitesse à laquelle les résidus de détergent et les souillures s'accumulent dans la laveuse.

### Nettoyage du joint de la porte

1. Ouvrir la porte de la laveuse et retirer tout vêtement ou article de la laveuse.
2. Inspecter le joint gris entre l'embrasure de la porte et le tambour – noter toute zone tachée, l'accumulation de souillures ou de charpie. Tirer sur le joint pour examiner complètement la zone qui se trouve en dessous et vérifier qu'elle est libre de tout objet étranger ou de toute charpie.
3. S'il y a des zones tachées, d'accumulation de souillures ou de charpie, nettoyer ces zones du joint par essuyage, selon l'une des deux méthodes ci-dessous :
  - a. **affresh® Procédure de nettoyage de la machine avec une lingette :**
    - i. Une fois le programme terminé, tirer doucement sur le joint en caoutchouc de la porte et nettoyer toute la surface avec la face rugueuse de la lingette de nettoyage pour laveuse affresh®.
  - b. **Procédure de nettoyage avec de l'eau de Javel diluée :**
    - i. Préparer une solution diluée d'eau de Javel – 3/4 tasse (177 mL) d'eau de Javel et 1 gallon (3,8 L) d'eau tiède puisée au robinet.
    - ii. Essuyer la zone du joint avec la solution diluée, en utilisant un chiffon humide.
    - iii. Laisser agir pendant 5 minutes.
    - iv. Essuyer parfaitement la surface du joint avec un chiffon sec, et laisser la porte de la laveuse ouverte pour que l'intérieur puisse sécher.

#### IMPORTANT :

- Porter des gants de caoutchouc lors du nettoyage avec de l'eau de Javel.
- Consulter les instructions du fabricant de l'eau de javel pour une utilisation correcte.

### Nettoyage de l'intérieur de la laveuse

Cette laveuse est munie d'un programme spécial qui utilise un plus grand volume d'eau en combinaison avec le nettoyant affresh® Nettoyant pour laveuse ou eau de Javel normale pour nettoyer soigneusement l'intérieur de la laveuse. Les modèles avec génération de vapeur utilisent également la vapeur avec ce programme spécial pour le nettoyage approfondi de l'appareil.

**IMPORTANT :** Ne pas utiliser d'agent de blanchiment épaissi, facile à verser ou anti-éclaboussure lorsque le programme Clean Washer with affresh® (nettoyage de la laveuse avec affresh®) est en cours, car un surplus de mousse pourrait être produit.

**REMARQUE :** Lire ces instructions complètement avant de débiter la procédure de nettoyage.

## Début de la procédure

### 1. Nettoyer la laveuse à l'aide du programme Clean Washer with affresh® (recommandé pour une performance optimale) :

- a. Ouvrir la porte de la laveuse; retirer tous les articles présents dans la laveuse.
- b. Utiliser une lingette de nettoyage pour laveuse affresh®, un tissu doux mouillé ou une éponge pour nettoyer l'intérieur de la porte en verre.
- c. Ajouter une pastille de nettoyant pour laveuse affresh® dans le tambour de la laveuse.
- d. Ne pas Ajouter la pastille de nettoyant pour laveuse affresh® dans le tiroir distributeur.
- e. Ne pas Ajouter de détergent ou autre composé chimique dans la laveuse lors de l'exécution de cette procédure.
- f. Fermer la porte de la laveuse.
- g. Sélectionner le programme Clean Washer with affresh® (nettoyage de la laveuse avec affresh®).
- h. **Sur certains modèles :** Sélectionner l'option FanFresh®/TumbleFresh™/Fresh Hold®/Fresh Spin™ pour mieux sécher l'intérieur de la laveuse une fois le programme terminé.

**REMARQUE :** La laveuse garde en mémoire la dernière sélection d'options et la sélectionnera pour les prochains programmes de lavage, à moins que cette option soit retirée.

- i. Toucher et maintenir enfoncé le bouton Start/Pause (mise en marche/pause) pour démarrer le programme. Consulter la section « Description de l'utilisation du programme de nettoyage de la machine avec affresh® ».

### 2. Méthode avec de l'eau de Javel :

- a. Ouvrir la porte de la laveuse; retirer tous les articles présents dans la laveuse.
- b. Ouvrir le tiroir du distributeur et ajouter de l'agent de blanchiment au chlore au niveau Max à la fois dans les compartiments d'agent de blanchiment et d'assouplissant pour tissu. On peut utiliser un agent de blanchiment au chlore HE ou traditionnel.

**IMPORTANT :** Ne pas utiliser d'agent de blanchiment épaissi, facile à verser ou anti-éclaboussure, car cela peut entraîner une surproduction de mousse.

**REMARQUE :** L'emploi d'une quantité d'eau de Javel supérieure à ce qui est recommandé ci-dessus pourrait endommager la laveuse avec le temps.

- c. Fermer la porte de la laveuse et le tiroir distributeur.
- d. Ne pas ajouter de détergent ou autre composé chimique dans la laveuse lors de l'exécution de cette procédure.
- e. Sélectionner le programme Clean Washer with affresh® (nettoyage de la laveuse avec affresh®).
- f. **Sur certains modèles :** Sélectionner l'option FanFresh®/TumbleFresh™/Fresh Hold®/Fresh Spin™ pour mieux sécher l'intérieur de la laveuse une fois le programme terminé.

**REMARQUE :** La laveuse garde en mémoire la dernière sélection d'options et la sélectionnera pour les prochains programmes de lavage, à moins que cette option soit retirée.

- g. Toucher et maintenir enfoncé le bouton Start/Pause (mise en marche/pause) pour démarrer le programme. Consulter la section « Description de l'utilisation du programme de nettoyage de la machine avec affresh® ».

**REMARQUE :** Pour de meilleurs résultats, ne pas interrompre le programme.

## Description du nettoyage de la laveuse avec affresh® Fonctionnement des programmes

1. Le programme Clean Washer with affresh® (nettoyage de la laveuse avec affresh®) détermine si des vêtements ou autres articles se trouvent dans la laveuse.
2. Si aucun article n'est détecté dans la laveuse, l'exécution du programme se poursuit.
  - a. Si des articles sont détectés dans la laveuse, « rL » (remove load) s'affiche pour indiquer qu'il faut retirer la charge. La porte se déverrouille. Ouvrir la laveuse et retirer tous les vêtements qui se trouvent dans le tambour de la laveuse.
  - b. Toucher le bouton Power (alimentation) pour effacer le code « rL ».
  - c. Toucher et maintenir enfoncé le bouton de Start/Pause (mise en marche/pause) pour redémarrer le programme.
3. **Modèles à vapeur uniquement** : Durant ses 20 premières minutes, le programme active la génération de vapeur, mais le tambour ne tourne pas et ne se remplit pas d'eau. De la condensation peut se former sur la porte en verre durant cette phase initiale. En cas d'utilisation d'une pastille de nettoyage pour laveuse affresh®, celle-ci ne se dissout pas entièrement durant la phase de génération de vapeur. Ceci est normal. À la fin du programme, laisser la porte entrouverte pour permettre une meilleure ventilation et pour que l'intérieur de la laveuse puisse sécher.

## Nettoyage des distributeurs

Après avoir utilisé la laveuse pendant longtemps, on peut parfois constater une accumulation de résidus dans les distributeurs de la laveuse.

**Pour le distributeur à une charge ou optionnel** : Retirer le tiroir et essuyer les surfaces avec une lingette de nettoyage pour laveuse affresh® ou un chiffon humide, et sécher avec une serviette avant ou après l'exécution du programme Clean Washer with affresh® (nettoyage de la laveuse avec affresh®). Si nécessaire, utiliser un nettoyant tout usage.

**Pour le distributeur™ Load & Go** : Soulever la poignée sur le boîtier du distributeur et tirer pour le retirer de la caisse de la laveuse; rincer ensuite le distributeur à fond avec de l'eau courante. Essuyer la surface externe du distributeur avec une lingette de nettoyage pour laveuse affresh® ou un chiffon humide et sécher avec une serviette. Si nécessaire, utiliser un nettoyant tout usage.

Replacer le distributeur dans la caisse de la laveuse en s'assurant qu'il est bien placé.

**IMPORTANT** : Les distributeurs ne sont pas lavables au lave-vaisselle.

## Nettoyage de l'extérieur de la laveuse

**IMPORTANT** : Afin d'éviter d'endommager le revêtement de la laveuse, ne pas utiliser de produits abrasifs.

Utiliser une lingette affresh® pour nettoyer la machine, une éponge ou un chiffon doux et humide pour essuyer tout renversement. Essuyer de temps en temps les surfaces externes de la laveuse pour entretenir son aspect neuf. Utiliser une lingette affresh® pour nettoyer la machine ou de l'eau et un savon doux.

## Rappel de lancement du programme Clean Washer (nettoyage de la laveuse)

**REMARQUE** : Les modèles ne sont pas tous équipés du témoin lumineux Clean Washer with affresh® (nettoyage de la laveuse avec affresh®).

Le message Clean Washer with affresh® clignote à la fin d'un programme de lavage après que la laveuse a effectué 30 programmes de lavage. Il fait office de rappel indiquant à l'utilisateur qu'il faut faire fonctionner le programme Clean Washer with affresh® (nettoyage de la laveuse avec affresh®).

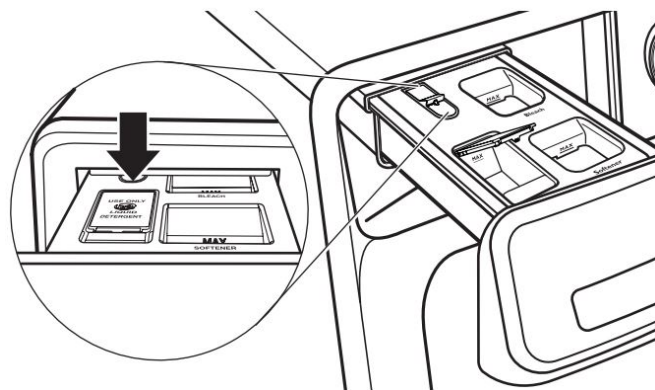
Si le programme Clean Washer with affresh® n'est pas activé, le message cesse de clignoter à la fin d'un programme de lavage après que la laveuse a effectué 3 programmes de lavage ordinaires supplémentaires. Après que la laveuse a effectué 30 programmes de lavage supplémentaires, le message Clean Washer with affresh® clignote à nouveau à la fin d'un programme de lavage en guise de rappel.

## Retrait du distributeur

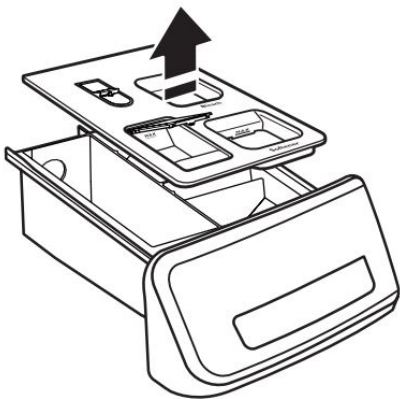
### Tiroir distributeur de dosage optimal (sur certains modèles)

**Pour enlever** :

1. Retirer le tiroir distributeur jusqu'en butée.
2. Appuyer sur la patte de déverrouillage et dégager le distributeur en le tirant tout droit.

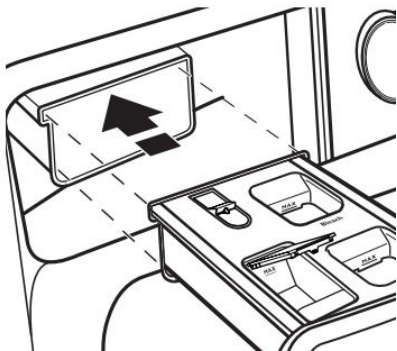


3. Soulever le couvercle et le tirer tout droit vers le haut pour le retirer.



**Pour replacer :**

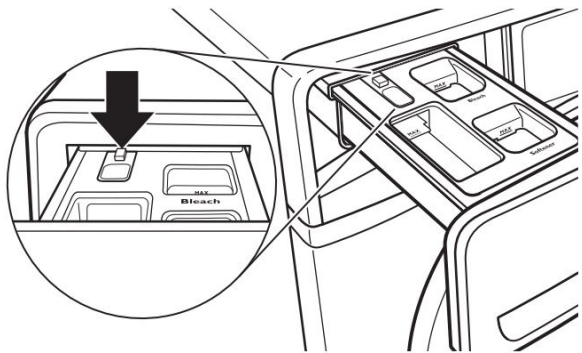
1. Faire glisser le couvercle sur les ergots du distributeur.
2. Aligner les bords du distributeur avec les guides situés dans la laveuse, puis réinsérer le distributeur dans la fente en le faisant glisser.



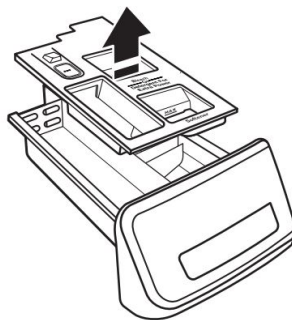
**Tiroir distributeur pour charge unique (sur certains modèles)**

**Pour enlever :**

1. Retirer le tiroir distributeur jusqu'en butée.
2. Appuyer sur la patte de déverrouillage et dégager le distributeur en le tirant tout droit.

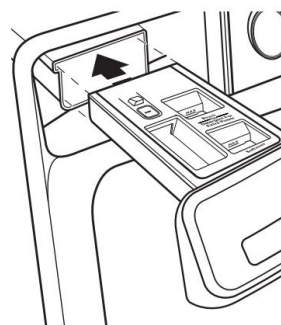


3. Soulever le couvercle et le tirer tout droit vers le haut pour le retirer.



**Pour replacer :**

1. Positionner le couvercle sur les ergots du distributeur. Appliquer une légère pression sur le couvercle pour le mettre en place.
2. Aligner les bords du distributeur avec les guides situés dans la laveuse, puis réinsérer le distributeur dans la fente en le faisant glisser.

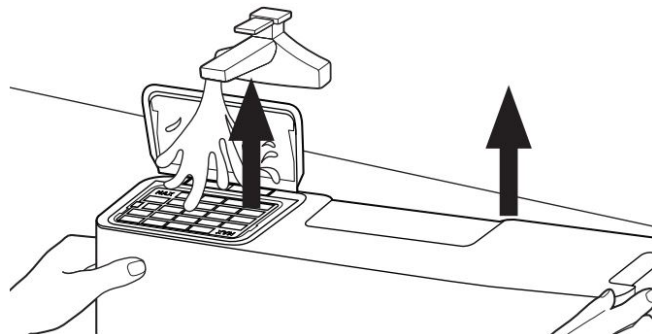


**Récipients Load & Go (sur certains modèles)**

**IMPORTANT :** Les récipients ne sont pas lavables au lave-vaisselle.

Il est recommandé de rincer les récipients Load & Go™ lorsqu'on change de type ou de concentration de détergent, ou si l'on n'utilise pas la laveuse pendant une période prolongée.

1. Retirer le tiroir distributeur jusqu'en butée.
2. Sortir les récipients Load & Go™.
3. Soulever le couvercle de remplissage et vidanger l'intérieur soigneusement à l'eau chaude.



4. Laisser sécher à l'air.

## Non utilisation et entretien avant les vacances

Faire fonctionner la laveuse seulement lorsqu'on est présent. Lors d'un déménagement ou lorsque la laveuse n'est pas utilisée pendant longtemps, suivre les étapes suivantes :

1. Débrancher la laveuse ou déconnecter la source de courant électrique.
2. Fermer l'alimentation en eau à la laveuse pour éviter toute inondation due à une surpression.

**CONSEIL UTILE :** Fixer une note de rappel à la laveuse d'ouvrir le robinet d'eau avant de l'utiliser à nouveau.

3. Nettoyer les distributeurs. Voir la section « Nettoyage des distributeurs ».

## Entretien pour entreposage hivernal

**IMPORTANT :** Pour éviter tout dommage, installer et remettre la laveuse à l'abri du gel. L'eau qui peut rester dans les tuyaux risque d'abîmer la laveuse en temps de gel. Si la laveuse doit faire l'objet d'un déménagement ou d'un entreposage au cours d'une période de gel, hivériser la laveuse.

### Hivérisation de la laveuse :

1. Fermer les deux robinets d'eau; déconnecter et vidanger les tuyaux d'arrivée d'eau.

**CONSEIL UTILE :** Fixer une note de rappel à la laveuse d'ouvrir le robinet d'eau avant de l'utiliser à nouveau.

2. Retirer le filtre de la pompe de vidange.
3. Placer 1 pinte (1 L) d'antigel pour véhicule récréatif dans le tambour et faire fonctionner la laveuse sur un programme Normal pendant environ 2 minutes pour mélanger l'antigel et l'eau restante.
4. Débrancher la laveuse ou déconnecter la source de courant électrique.

## Transport de la laveuse

1. Fermer les deux robinets d'eau. Débrancher et vidanger les tuyaux d'arrivée d'eau.
2. Pour déplacer la laveuse pendant une période de gel, suivre les instructions de la section « Entretien pour entreposage hivernal » avant de le déplacer.
3. Déconnecter le tuyau d'évacuation du système d'évacuation et de l'arrière de la laveuse.
4. Débrancher le cordon d'alimentation.
5. Placer les tuyaux d'arrivée d'eau et le tuyau d'évacuation dans le tambour.
6. Enrouler le cordon d'alimentation et l'attacher avec un élastique ou avec un attache-câbles pour l'empêcher de traîner sur le plancher.

**IMPORTANT :** Demander une intervention de dépannage si l'on doit installer de nouveaux boulons de transport. Ne pas réutiliser les boulons de transport. Le lave-linge doit être transporté en position verticale. Afin d'éviter d'endommager la structure de la laveuse, celle-ci doit être correctement installée pour pouvoir être déplacée par un technicien agréé.

## Réinstallation/réutilisation de la laveuse

### ⚠ AVERTISSEMENT



#### Risque de décharge électrique

**Brancher l'appareil sur une prise à 3 alvéoles reliée à la terre.**

**Ne pas enlever la prise de liaison à la terre.**

**Ne pas utiliser d'adaptateur.**

**Ne pas utiliser de rallonge.**

**Le non-respect de ces instructions peut causer un décès, un incendie ou une décharge électrique.**

### Pour réinstaller la laveuse après une période de non-utilisation, de vacances, de remisage pour l'hiver ou après un déménagement :

1. Consulter les instructions d'installation pour choisir l'emplacement, régler l'aplomb de la laveuse et la raccorder.
2. Avant de réutiliser la laveuse, exécuter la procédure recommandée suivante :

### Remise en marche de la laveuse :

1. Vidanger les canalisations d'eau et les tuyaux.
2. Rebrancher les tuyaux d'arrivée d'eau.
3. Ouvrir les deux robinets d'eau.
4. Brancher sur une prise à 3 alvéoles reliée à la terre ou reconnecter la source de courant électrique.
5. Faire exécuter à la laveuse le programme Heavy Duty/Power Wash (service intense/lavage puissant) pour nettoyer la laveuse et éliminer l'antigel, le cas échéant. Utiliser uniquement un détergent HE. Utiliser la moitié de la quantité recommandée par le fabricant pour une charge de taille moyenne.

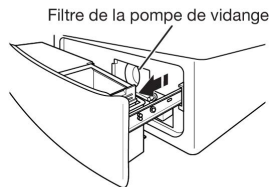


# Nettoyage du filtre de la pompe de vidange / Vidange de l'eau résiduelle (sur certains modèles)

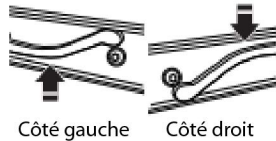
**IMPORTANT :** S'assurer que la laveuse est éteinte avant de nettoyer le filtre de la pompe de vidange.

**REMARQUE :** Effectuer la procédure suivante de temps en temps.

1. Ouvrir le tiroir distributeur en tirant sur la poignée à la base de la laveuse. afin de révéler le filtre de la pompe de vidange. Retirer le tiroir en relâchant les languettes de chaque côté.

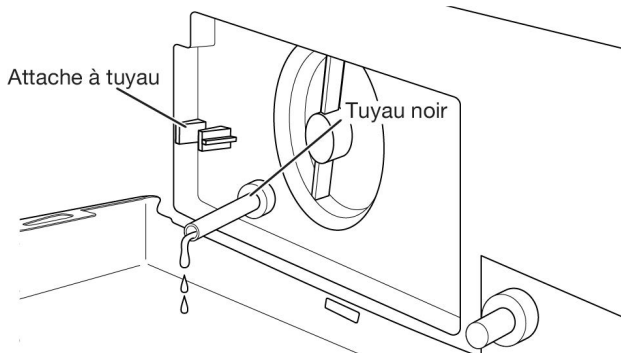


Avec son doigt, déplacer vers le haut la languette située sur le côté droit du tiroir et déplacer vers le haut la languette située sur le côté gauche du tiroir.

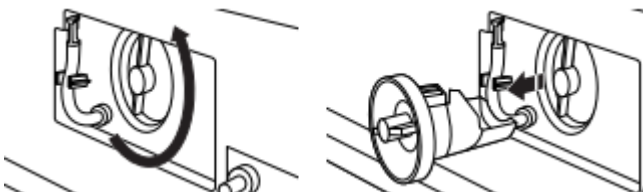


2. Placer un récipient plat sous le filtre de la pompe de vidange pour ramasser l'eau de vidange. Dégager le tuyau noir du collier de serrage, retirer le bouchon et vidanger le tuyau dans le récipient. Vider le contenant. Répéter au besoin la procédure jusqu'à ce qu'il n'y ait plus d'eau. S'assurer que le tuyau noir est complètement sec, remplacer le bouchon et fixer le tuyau dans l'attache.

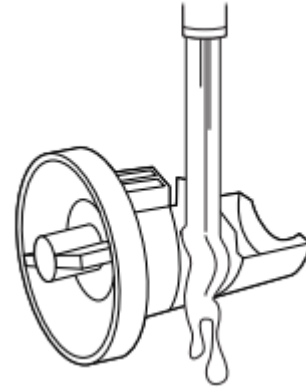
**REMARQUE :** Si l'eau ne se vidange pas bien, pousser légèrement le tuyau pour éliminer de possibles plis.



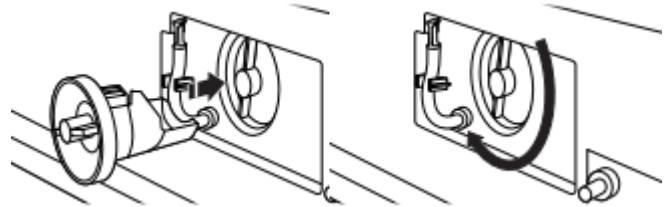
3. Placer un chiffon en coton sous le filtre de la pompe de vidange pour absorber l'eau restante. Retirer ensuite le filtre de la pompe de vidange en le tournant en sens antihoraire.



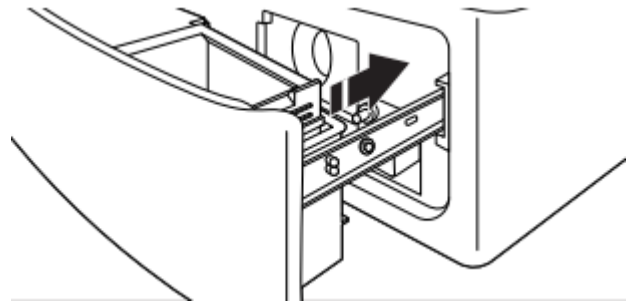
4. Retirer la charpie du filtre à la main et la jeter de façon appropriée. Enlever les résidus restants du filtre en le rinçant à l'eau.



5. Replacer le filtre de la pompe de vidange en le tournant en sens horaire. S'assurer de tourner aussi loin que possible en gardant la poignée du filtre en position verticale.



6. Replacer et fermer le tiroir distributeur. S'assurer d'insérer les deux rails simultanément lors du remplacement du tiroir. Un déclic se fait entendre indiquant que les rails sont engagés. Pour assurer un positionnement correct du tiroir, le retirer complètement. Le tiroir doit être complètement engagé et les rails verrouillés en place. S'assurer que le tuyau de vidange est bien fixé dans l'attache de tuyau et rentré sous la découpe.



## Nettoyage supplémentaire

Retirer doucement le joint de porte en caoutchouc et nettoyer les zones tachées, l'accumulation de saleté ou de charpie avec le côté texturé d'une lingette de nettoyage pour laveuse affresh®.





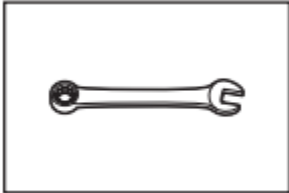
# INSTRUCTIONS D'INSTALLATION

## SPÉCIFICATIONS

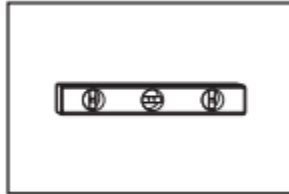
### Outils et pièces

Rassembler les outils et composants nécessaires avant d'entreprendre le processus d'installation.

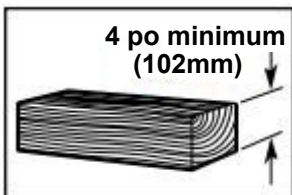
#### Outils requis :



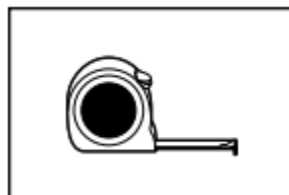
Clés plates ou clés à molette de 1/2 po (13 mm), 5/8 po (16 mm) et 9/16 po (14 mm).



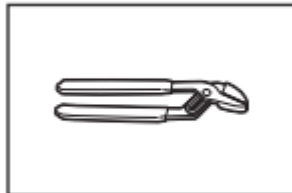
Niveau



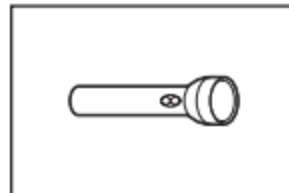
Cale en bois



Règle ou mètre ruban



Pince – ouverture jusqu'à 1 9/16 po (39,7 mm)



Lampe de poche



Seau

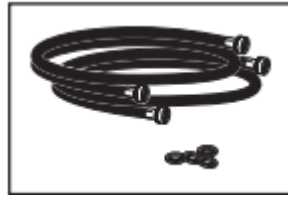
#### Pièces fournies :

**REMARQUE :** Toutes les pièces fournies pour l'installation se trouvent dans le panier de la laveuse.



Tuyau d'évacuation avec bride, forme en U et serre-câbles

#### Pièces nécessaires : (si non fournies avec la laveuse)



Tuyaux d'arrivée d'eau avec rondelles plates.

**REMARQUE :** Différentes options de tuyau d'arrivée d'eau sont offertes; consulter votre guide de démarrage rapide pour les informations de commande.

#### Accessoires disponibles

Vous pouvez obtenir un piédestal facultatif assorti pour la laveuse. Contacter le revendeur pour effectuer la commande ou voir la page "Assistance ou service" au dos du Guide d'utilisation et d'entretien.

#### Pièces alternatives (non fournies avec la laveuse)

Il se peut que l'installation nécessite des pièces supplémentaires. Pour commander, consulter les coordonnées dans le guide de démarrage rapide.

Si vous avez :	Il faut :
Égout surélevé	Tuyau rigide d'évacuation standard de 20 gallon (76 L) de 39 po (990 mm) de haut ou évier de décharge, pompe de puisard et connecteurs (offerts chez les vendeurs de matériel de plomberie locaux)

## EXIGENCES D'EMPLACEMENT (laveuse)

**IMPORTANT :** Ne pas installer, remiser ou faire fonctionner la laveuse à un emplacement où elle sera exposée aux intempéries ou à des températures inférieures à 32 °F (0 °C). De l'eau restée dans la laveuse après utilisation peut causer des dommages à basse température. Voir "Entretien de la laveuse" pour des renseignements sur la préparation de la laveuse pour l'hiver.

Le choix d'un emplacement approprié pour la laveuse en améliore le rendement et réduit au minimum le bruit et le "déplacement" possible de la laveuse. La laveuse peut être installée dans un sous-sol, une salle de buanderie, un placard ou un encastrement.

C'est à l'utilisateur qu'incombe la responsabilité de réaliser une installation correcte.

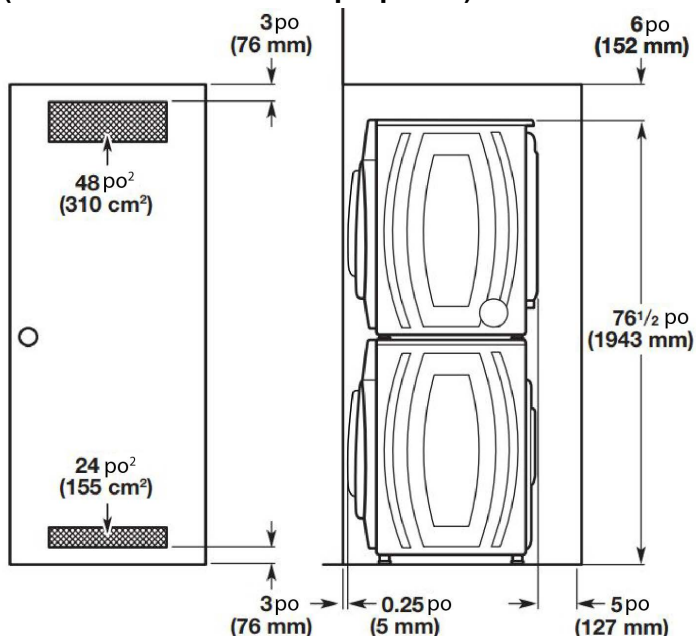
#### Il vous faudra

- Un chauffe-eau réglé à 120 °F (49 °C).
- Une prise électrique reliée à la terre et située à moins de 6 pi (1,8 m) du cordon d'alimentation à l'arrière de la laveuse.
- Des robinets d'eau chaude et d'eau froide situés à moins de 4 pi (1,2 m) des électrovannes de remplissage d'eau chaude et d'eau froide sur la laveuse, et une pression d'eau de 20 à 100 lb/po<sup>2</sup> (137,9 à 689,6 kPa).
- Un plancher de niveau avec une pente maximale de 1 po (25 mm) sous l'ensemble de la laveuse. Il n'est pas recommandé de l'installer sur un tapis, de la moquette ou des surfaces avec endos en mousse.
- Un plancher capable de supporter le poids total de 315 lb (143 kg) de la laveuse (eau et charge compris).

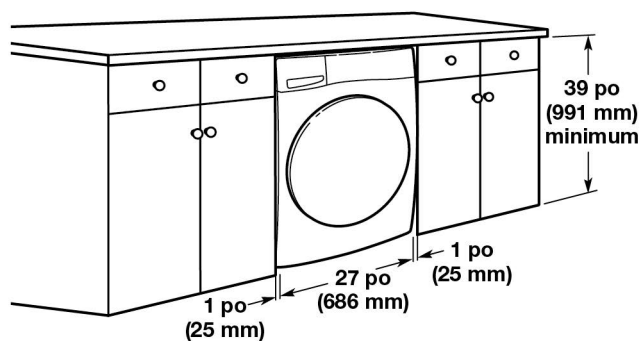
Les dimensions indiquées correspondent à l'espace minimal permis. Pour chaque type de configuration, prévoir davantage de dégagement pour faciliter l'installation et l'entretien et laisser suffisamment de dégagement pour les appareils ménagers voisins et pour les murs, les portes et les plinthes. L'espace doit être assez grand pour permettre d'ouvrir complètement la porte. Ajouter un espace supplémentaire de 1 po (25 mm) de tous les côtés de la laveuse pour réduire le transfert de bruit. Si l'on installe une porte d'armoire ou une porte à persiennes, des ouvertures d'aération au sommet et au bas de la porte sont nécessaires.

**REMARQUE :** Pour obtenir plus de détails (ou d'informations) spécifiques à votre modèle, consulter votre guide de démarrage rapide.

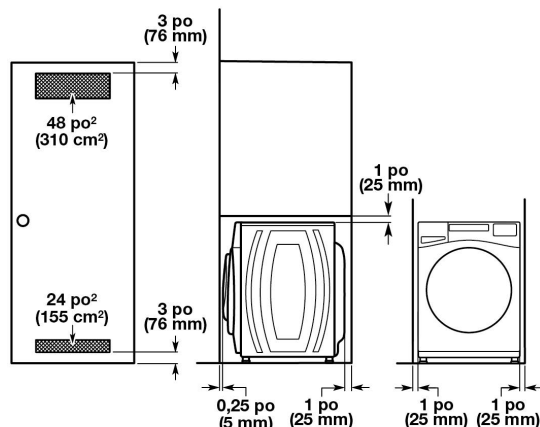
### Installation dans un encastrement ou armoire (laveuse et sècheuse superposée)



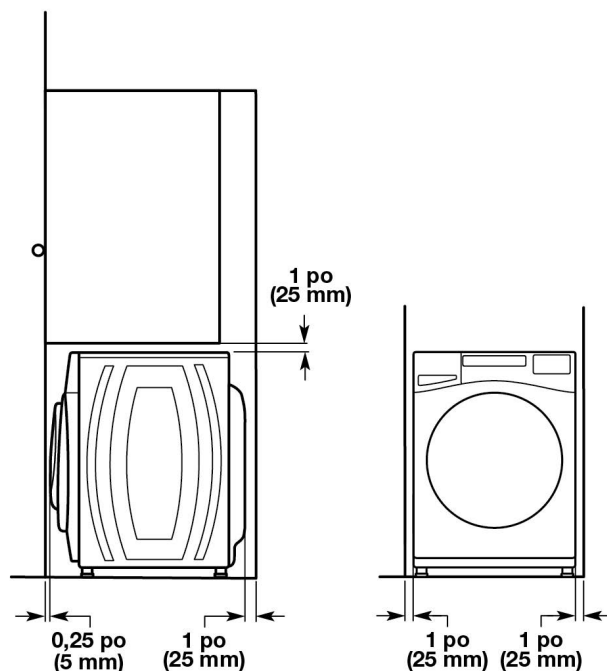
### Installation sous comptoir personnalisée



### Installation dans un encastrement ou armoire (laveuse seulement)



### Installation dans un placard personnalisée



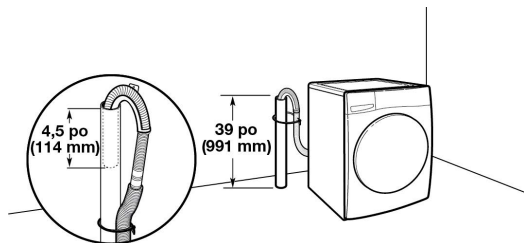
### Système de vidange

Il incombe à l'installateur d'installer et de fixer solidement le tuyau de vidange à la canalisation d'évacuation de manière que le tuyau de vidange ne puisse sortir et causer d'éventuelles fuites de la canalisation d'évacuation.

Le système de vidange peut être installé à l'aide d'un conduit d'évacuation au plancher, un tuyau rigide de rejet à l'égout mural, un tuyau rigide de rejet à l'égout au plancher ou un évier de buanderie. Sélectionner la méthode à utiliser.

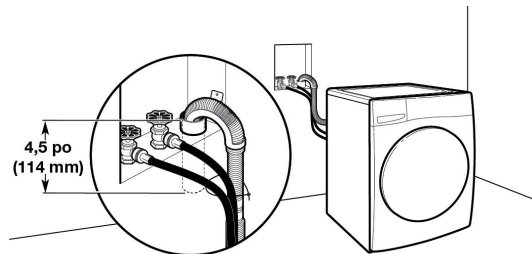
**IMPORTANT :** Pour éviter un effet de siphon, pas plus de 4,5" (114 mm) de tuyau de vidange ne devrait être inséré à l'intérieur de la canalisation d'évacuation.

### Système de vidange avec tuyau de rejet à l'égout au plancher



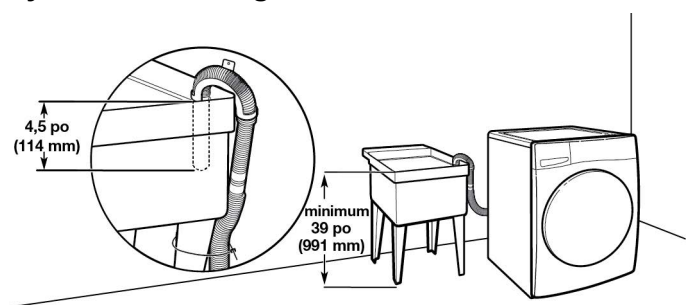
Diamètre minimal pour un tuyau de rejet à l'égout : 2 po (51 mm). Capacité minimale d'acheminement : 17 gallons (64 L) par minute. Un adaptateur de 1/4 po (6 mm) à 1 po (25 mm) de diamètre est offert pour le tuyau de rejet à l'égout; consulter le guide de démarrage rapide pour les renseignements de commande en ligne. Le sommet du tuyau de rejet à l'égout doit avoir une hauteur d'au moins 39 po (762 mm); ne pas l'installer à plus de 96 po (2,4 m) du bas de la laveuse. Si la canalisation de vidange est au-dessus de la tête et que l'eau doit être pompée à plus de 96 po (2,4 m), une pompe de puisard et sa quincaillerie seront nécessaires. Voir la section « Pièces supplémentaires ».

### Système de vidange avec tuyau de rejet à l'égout mural

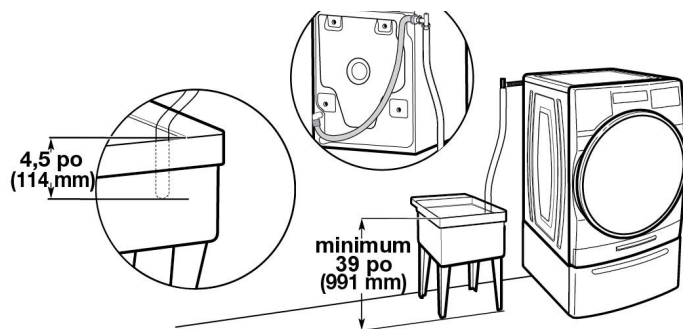


Voir les exigences pour le système de vidange avec tuyau de rejet à l'égout au plancher.

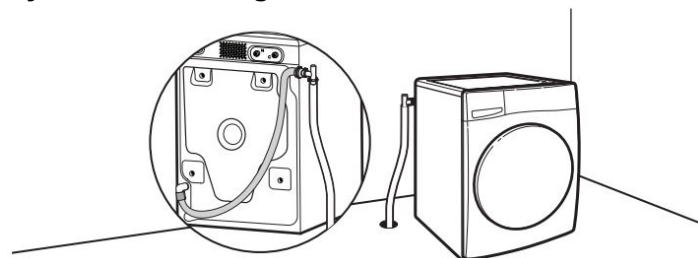
### Système de vidange dans un évier de buanderie



Capacité minimale : 20 gallons (76 L). Le haut de l'évier de buanderie doit être à au moins 39 po (991 mm) du sol, mais pas à plus de 96 po (2,4 m) du bas de la laveuse.



### Système de vidange au sol



Le système de vidange au sol requiert un ensemble de brise-siphon, deux ensembles de raccordement et une rallonge de tuyau de vidange qui peuvent être achetés séparément; consulter le guide de démarrage rapide pour les renseignements de commande en ligne. Hauteur minimale du brise-siphon : 28 po (710 mm) à partir du fond de la laveuse. (Des tuyaux supplémentaires peuvent être requis.)

## Spécifications électriques

### **⚠ AVERTISSEMENT**



#### Risque de décharge électrique

**Brancher l'appareil sur une prise à 3 alvéoles reliée à la terre.**

**Ne pas enlever la prise de liaison à la terre.**

**Ne pas utiliser d'adaptateur.**

**Ne pas utiliser de rallonge.**

**Le non-respect de ces instructions peut causer un décès, un incendie ou une décharge électrique.**

- Une source d'alimentation de 120 V CA à 60 Hz uniquement et protégée par fusible de 15 ou 20 A est nécessaire. On recommande d'utiliser un fusible ou un disjoncteur temporisé. Il est recommandé de raccorder l'appareil sur un circuit distinct exclusif à cet appareil.
- Cette laveuse comporte un cordon d'alimentation électrique à trois broches pour liaison à la terre.
- Pour minimiser les risques de décharge électrique, on doit brancher le cordon sur une prise de courant de configuration correspondante, à 3 alvéoles, reliée à la terre et installée conformément aux codes et règlements locaux. Si une prise de courant de configuration correspondante n'est pas accessible, le client a la responsabilité et l'obligation de faire installer par un électricien qualifié une prise de courant correctement reliée à la terre.
- Si les codes le permettent et si on utilise un conducteur distinct de mise à la terre, il est recommandé qu'un électricien qualifié vérifie la qualité de la mise à la terre.
- Ne pas utiliser une tuyauterie de gaz pour le raccordement à la terre.
- En cas de doute quant à la qualité de la mise à la terre de la laveuse/sécheuse, consulter un électricien qualifié.
- Ne pas installer un fusible dans le conducteur neutre ou le circuit de mise à la terre.

### INSTRUCTIONS DE LIAISON À LA TERRE

#### Pour un appareil avec liaison à la terre et cordon d'alimentation :

Cet appareil doit être relié à la terre. En cas d'anomalie de fonctionnement ou de panne, la liaison à la terre réduira le risque de décharge électrique en offrant au courant électrique un itinéraire d'évacuation de moindre résistance. L'appareil est doté d'un cordon électrique comportant un conducteur de mise à la terre d'équipement et une fiche de branchement de liaison à la terre. La fiche doit être branchée sur une prise de courant appropriée qui soit bien installée et reliée à la terre conformément à tous les codes et règlements locaux.

**AVERTISSEMENT :** Un raccordement inapproprié du conducteur de mise à la terre de l'équipement peut causer un risque de décharge électrique. En cas de doute quant à la qualité de la mise à la terre de l'appareil, consulter un électricien ou un technicien d'entretien qualifié. Ne pas modifier la fiche fournie avec cet appareil : Si elle ne correspond pas à la prise de sortie, faire installer une fiche appropriée par un électricien qualifié.

#### Pour un appareil raccordé en permanence :

Cet appareil doit être raccordé à un système de câblage permanent en métal relié à la terre, ou un conducteur de mise à la terre d'équipement doit être en fonction avec les conducteurs de circuit, et raccordé à la borne de mise à la terre d'équipement ou la borne sur l'appareil ménager.

### CONSERVER CES INSTRUCTIONS

## INSTALLATION

### Déballage

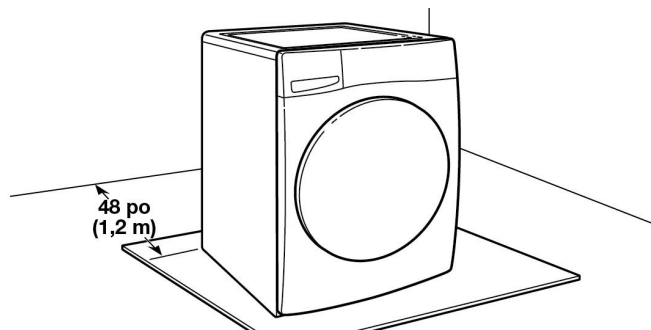
### **⚠ AVERTISSEMENT**

#### Risque de poids excessif

**Utiliser deux personnes ou plus pour déplacer et installer l'appareil.**

**Le non-respect de cette instruction peut causer une blessure au dos ou d'autres blessures.**

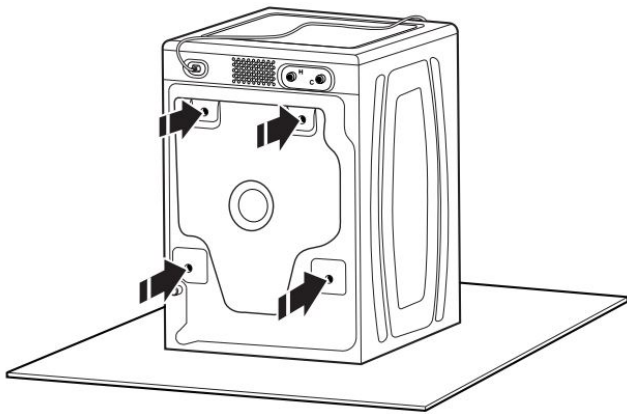
#### 1. Déplacer la laveuse



Il est nécessaire de retirer tout le matériel d'expédition pour un fonctionnement correct et pour éviter que la laveuse ne fasse trop de bruit.

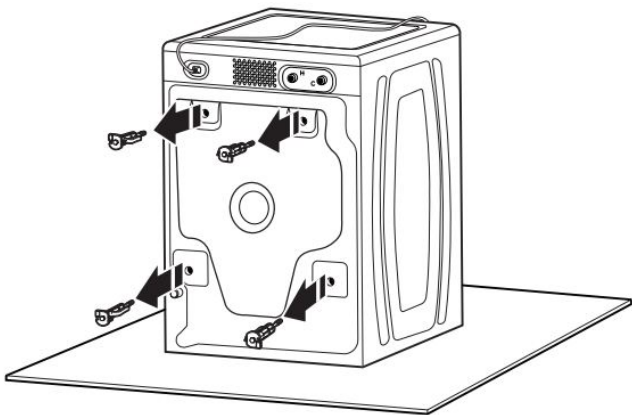
Approcher la laveuse jusqu'à environ 4 pi (1,2 m) de son emplacement d'installation final. Elle doit être en position debout.

## 2. Localiser les boulons de transport



Repérer les quatre boulons de transport à l'arrière de la laveuse.

## 3. Retirer les boulons de transport de la laveuse

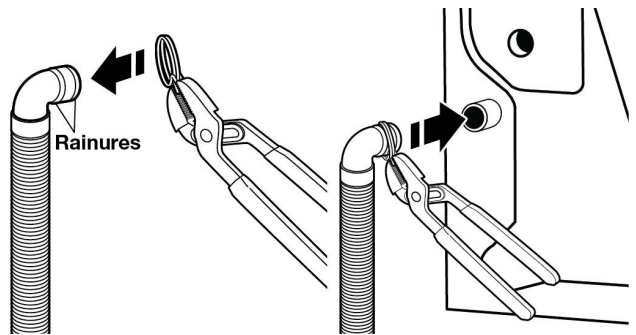


Desserrer les boulons avec une clé à molette de 5/8 po (16 mm). Glisser chaque boulon et cale au centre de trou. Retirer les boulons et cales d'espacement en plastique de l'arrière de la laveuse. Jeter les boulons et cales d'espacement.

**IMPORTANT :** Ne pas brancher la laveuse avant d'avoir terminé l'installation.

## Raccordement du tuyau de vidange

### 4. Fixation du tuyau de vidange à l'orifice de vidange



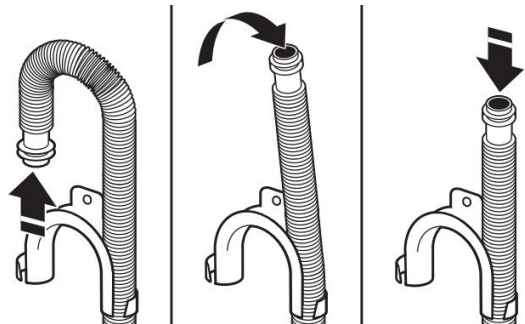
Si la bride n'est pas déjà installée sur l'extrémité coudée du tuyau de vidange, serrer la bride avec une pince et la faire glisser sur l'extrémité du tuyau en la centrant entre les rainures comme illustré. Serrer la bride avec une pince et faire glisser à nouveau l'extrémité coudée du tuyau de vidange sur l'orifice de vidange noir, puis fixer avec la bride.

Pour un évier de buanderie ou un tuyau de rejet à l'égout rigide, passer à l'étape 6.

Pour une vidange au plancher, retirer la bride retenue pour tuyau de vidange préinstallée, comme indiqué à l'étape 5. Des pièces supplémentaires avec des directives distinctes seront peut-être nécessaires. Voir « Pièces supplémentaires ».

Il incombe à l'installateur d'installer et de fixer solidement le tuyau de vidange à la canalisation d'évacuation de manière que le tuyau de vidange ne puisse sortir et causer d'éventuelles fuites de la canalisation d'évacuation.

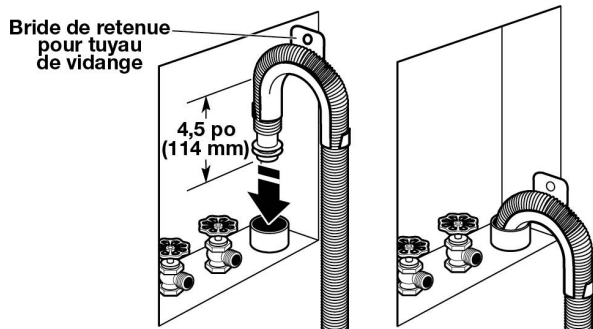
### 5. Remove drain hose form (floor drain installations only)



For floor drain installations, you will need to remove the drain hose form from the end of the drain hose. You may need additional parts with separate directions; refer to the Quick Start Guide.



## 6. Placer le tuyau de vidange dans le tuyau de rejet à l'égout



Placer le tuyau dans le tuyau de rejet à l'égout (illustré à l'image) ou par-dessus le côté de l'évier de buanderie.

**IMPORTANT :** 4,5 po (114 mm) de tuyau de vidange soit se trouver à l'intérieur du tuyau de rejet à l'égout; ne pas forcer l'excédent du tuyau dans le tuyau de rejet à l'égout ni le placer dans l'évier de buanderie. On doit utiliser la bride de retenue pour tuyau de vidange.

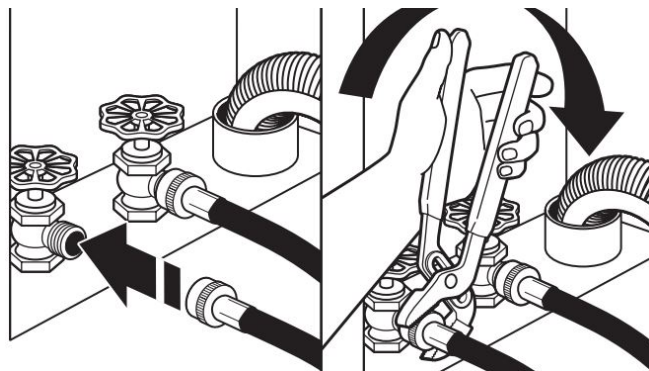
## Raccordement des tuyaux d'alimentation

**IMPORTANT :** IMPORTANT : Afin d'éviter toute fuite, vérifier que les tuyaux d'arrivée d'eau comportent des rondelles d'étanchéité plates aux deux extrémités. La laveuse doit être raccordée aux robinets d'eau à l'aide des tuyaux d'arrivée d'eau et des rondelles neufs (non compris). Ne pas utiliser de tuyaux usagés. Ne pas utiliser de tuyaux sans installer de rondelles d'étanchéité.

## 7. Insérer les rondelles plates neuves



## 8. Connecter les tuyaux d'arrivée d'eau aux robinets



**IMPORTANT :** Ne pas serrer excessivement ni utiliser de ruban adhésif ou de dispositifs d'étanchéité lors de la fixation des robinets ou de la machine. Cela pourrait entraîner des dommages.

Fixer le tuyau dont l'étiquette porte la mention « hot » (chaud) au robinet d'eau chaude. Visser le raccord à la main pour qu'il repose sur la rondelle. Serrer les raccords de deux tiers de tour supplémentaires à l'aide d'une pince. Répéter cette étape avec le tuyau portant la mention « cold » (froide) pour le robinet d'eau froide. Les deux tuyaux doivent être raccordés pour que la laveuse fonctionne correctement.

**CONSEIL UTILE :** Repérer quel tuyau est raccordé à l'eau chaude pour permettre une fixation correcte des tuyaux à la machine. Dans la plupart des configurations standard, les tuyaux se croisent lorsque fixés correctement.

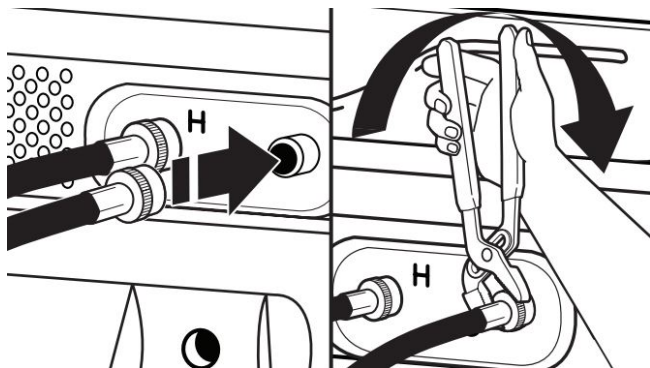
## 9. Purger les canalisations d'eau



Faire couler de l'eau dans les tuyaux de l'évier de buanderie, le tuyau rigide de rejet à l'égout ou le seau pendant quelques secondes pour prévenir toute obstruction. On doit laisser couler l'eau jusqu'à ce qu'elle soit limpide.



## 10. Connecter les tuyaux d'arrivée d'eau à la laveuse

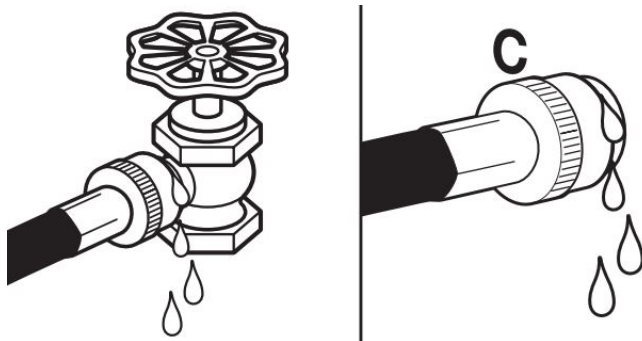


**IMPORTANT :** Pour réduire le risque de défaillance des tuyaux, remplacer les tuyaux tous les 5 ans. Inscrire la date d'installation ou de remplacement des tuyaux pour référence ultérieure.

- Ne pas serrer excessivement le tuyau, utiliser du ruban adhésif ou un calfeutrant sur le robinet. Les robinets risquent d'être endommagés.
- Inspecter périodiquement les tuyaux et les remplacer en cas de renflement, de déformation, de coupure, d'usure ou de fuite.

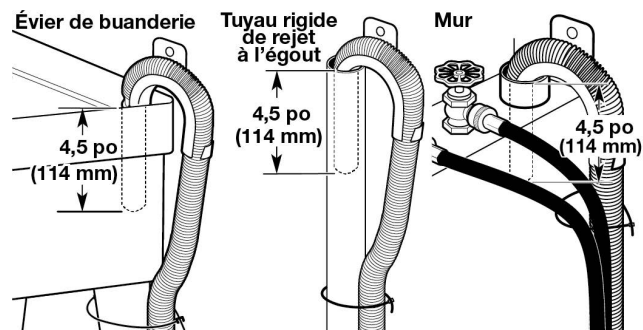
Fixer le tuyau d'eau chaude au robinet d'arrivée d'eau chaude. Visser le raccord à la main jusqu'à ce qu'il soit bien serré. Serrer les raccords de deux tiers de tour supplémentaires à l'aide d'une pince. Répéter pour le robinet d'eau froide.

## 11. Recherche de fuites



Ouvrir doucement les robinets d'eau pour vérifier qu'il n'y a pas de fuites. Une petite quantité d'eau peut entrer dans la laveuse. Elle s'évacuera plus tard.

## 12. Immobiliser le tuyau de vidange



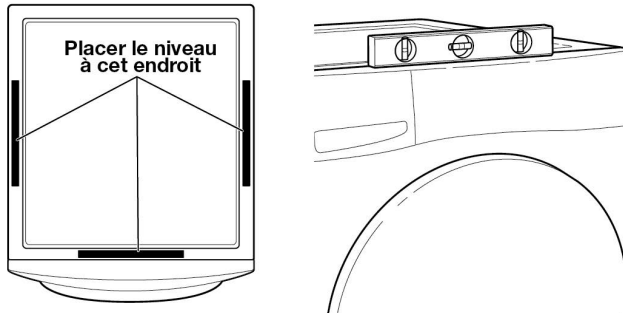
Fixer le tuyau de vidange avec le serre-câbles ou la fixation perlée au pied de l'évier de buanderie, au tuyau rigide de rejet à l'égout ou aux tuyaux d'arrivée d'eau pour le tuyau de rejet à l'égout mural rigide.

Il incombe à l'installateur d'installer et de fixer solidement le tuyau de vidange à la canalisation d'évacuation de manière que le tuyau de vidange ne puisse sortir et causer d'éventuelles fuites de la canalisation d'évacuation.

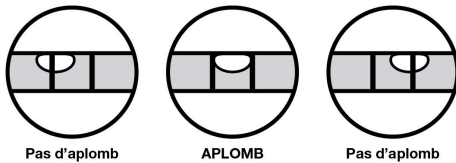
# ÉTABLISSEMENT DE L'APLOMB DE LA LAVEUSE

**IMPORTANT : IMPORTANT :** L'établissement correct de l'aplomb de la laveuse permet de réduire les nuisances sonores et de limiter les vibrations.

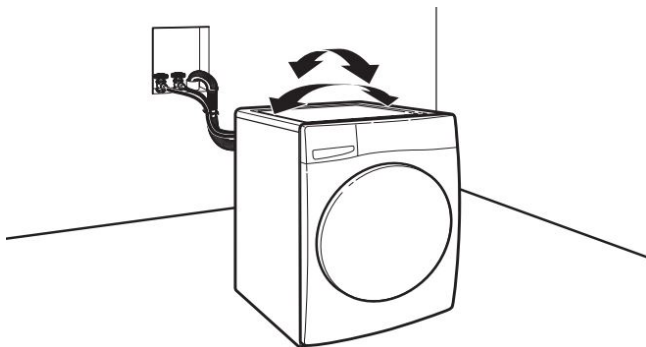
## 13. Vérifier le bon aplomb de la laveuse



Enlever le morceau de carton placé sous la laveuse. Placer un niveau sur les bords supérieurs de la laveuse en contrôlant chaque côté et l'avant. Si elle n'est pas d'aplomb, faire basculer la laveuse et régler les pieds vers le haut ou vers le bas comme indiqué dans les étapes 15 et 16, et recommencer si nécessaire.

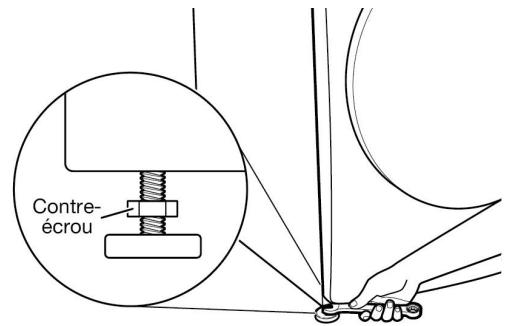


## 14. Faire basculer la laveuse pour tester la stabilité des pieds sur le plancher



Saisir la laveuse par le dessus et la faire basculer d'avant en arrière tout en s'assurant que les quatre pieds sont en contact ferme avec le sol. Faire de nouveau basculer la laveuse, transversalement. Si la laveuse bascule, passer à l'étape 15 et ajuster les pieds de nivellement. Si les quatre pieds sont en contact ferme avec le sol, passer à l'étape 16.

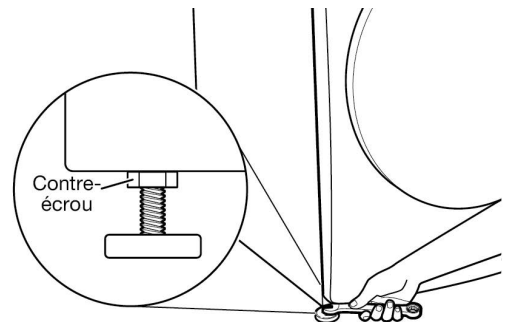
## 15. Ajuster les pieds de nivellement



Si la laveuse n'est pas d'aplomb, utiliser une clé plate de 9/16 po (14,3 mm) ou une clé à molette pour tourner les contre-écrous dans le sens horaire jusqu'à ce qu'ils se trouvent à environ 1/2 po (13 mm) de la caisse de la laveuse. Tourner ensuite le pied de nivellement dans le sens horaire pour abaisser la laveuse ou dans le sens antihoraire pour la soulever. Ne pas dépasser 2 po (50 mm) du bas des pieds au bas de l'armoire. Contrôler à nouveau l'aplomb de la laveuse et vérifier que les quatre pieds sont en contact ferme avec le sol. Répéter si nécessaire.

**CONSEIL UTILE :** Il serait judicieux de soulever l'avant de la laveuse d'environ 4 po (102 mm) à l'aide d'une cale en bois ou d'un objet similaire qui soutiendra le poids de la laveuse.

## 16. Serrer les pieds de nivellement



Après que l'aplomb de la laveuse a été établi et que les quatre pieds sont en contact ferme avec le sol, tourner les contre-écrous dans le sens antihoraire sur les pieds de nivellement à l'aide d'une clé à fourche ou d'une clé à molette de 9/16 po (14,3 mm) jusqu'à ce qu'ils soient bien serrés contre la caisse de la laveuse.

**CONSEIL UTILE :** On devra peut-être de nouveau soulever légèrement la laveuse à l'aide d'une cale de bois.

## **⚠ AVERTISSEMENT**



### **Risque de décharge électrique**

**Brancher l'appareil sur une prise à 3 alvéoles reliée à la terre.**

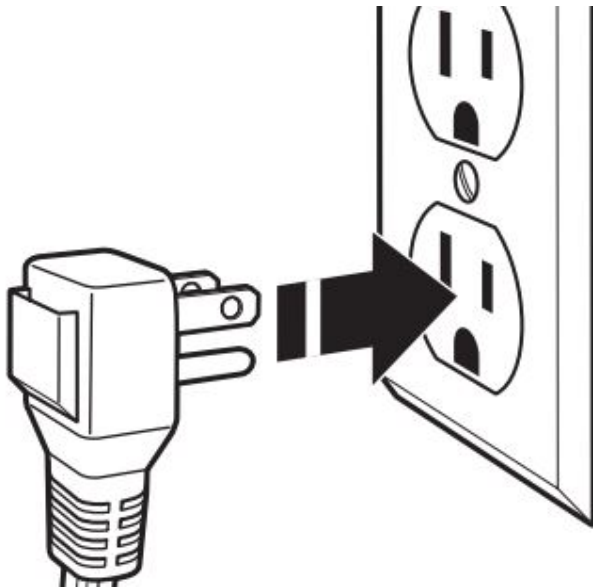
**Ne pas enlever la prise de liaison à la terre.**

**Ne pas utiliser d'adaptateur.**

**Ne pas utiliser de rallonge.**

**Le non-respect de ces instructions peut causer un décès, un incendie ou une décharge électrique.**

### **17. Brancher sur une prise à 3 alvéoles reliée à la terre.**



## **Liste de vérification pour installation terminée**

- Consulter les spécifications électriques. S'assurer de disposer d'une source d'électricité appropriée, et d'une liaison à la terre conforme à la méthode recommandée.
- Vérifier que toutes les pièces sont maintenant installées. S'il reste une pièce, passer en revue les différentes étapes pour découvrir laquelle aurait été oubliée.
- Vérifier la présence de tous les outils.
- Vérifier que tout le matériel d'expédition a été retiré de la laveuse.
- Vérifier que la laveuse est de niveau.
- Vérifier que les robinets d'eau sont ouverts.
- Vérifier qu'il n'y a pas de fuite autour des robinets et des tuyaux d'arrivée d'eau.
- Ôter la pellicule protectrice de la console et tout ruban adhésif resté sur la laveuse.
- Vérifier que la laveuse est branchée sur une prise de courant à 3 alvéoles reliée à la terre.
- Éliminer/recycler tous les matériaux d'emballage.
- Lire la section « Entretien et réparation de la laveuse ».
- Pour tester et nettoyer votre laveuse, appuyer sur Power (mise sous tension), et choisir le programme Quick (rapide) et la faire fonctionner sans vêtements. Utiliser uniquement un détergent HE. Utiliser la moitié de la quantité recommandée par le fabricant pour une charge de taille moyenne.

---

## REMARQUES

---

## REMARQUES



---

## REMARQUES

---

## REMARQUES

---

## REMARQUES